

WM BT-R15 Panel PC - ATEX

Fanless 15" Panel PC for ATEX Zone 2 | With Intel® Atom® N2600 Dual-Core CPU

Features

- 15" Fanless ATEX Panel PC (explosion-proof)
- 5-Wire resistive touch display
- Resolution: 1024 x 768
- Brightness: 600 cd/m²
- Special IP65 connectors with cover plate

System

CPU	Intel® Atom® N2600 Dual-Core up to 1.6GHz
Chipset	Intel® NM10
RAM	1x 4GB DDR3L 1600MHz SODIMM up to 8GB
Storage	1x 64GB mSATA SSD, higher capacities available
LAN Chipset	BCM57780A1KMLG

Display

Display Size	15" (38,1cm)
Touch Type	5-Wire Resistive
Resolution	1024 x 768
Color	16.2M colors / 6-bit + FRC
Viewing Angle	88 x 88(H) / 88 x 88(V)
Contrast	2500:1
Brightness	500 cd/m ²

Interface

USB	2x USB 2.0 (1x M21 type connector)
Ethernet	1x RJ-45 Gigabit Ethernet port (M12 rated IP65)
Serial Ports	1x RS-232/422/485 (M12/RS-232 default)
Power Input	9 ~ 36V DC-In with isolation protection 12V / 84W AC/DC power adapter
Power Consumption	25W

Mechanical / Environmental

IP Protection	Full IP65
Mounting	VESA 100
Dimensions	396 x 310 x 49mm (W x H x D) 367 x 281mm (Cut Out)
Operating Temp.	-20° ~ 50°C
Humidity	10% ~ 95%, non-condensing

Certifications

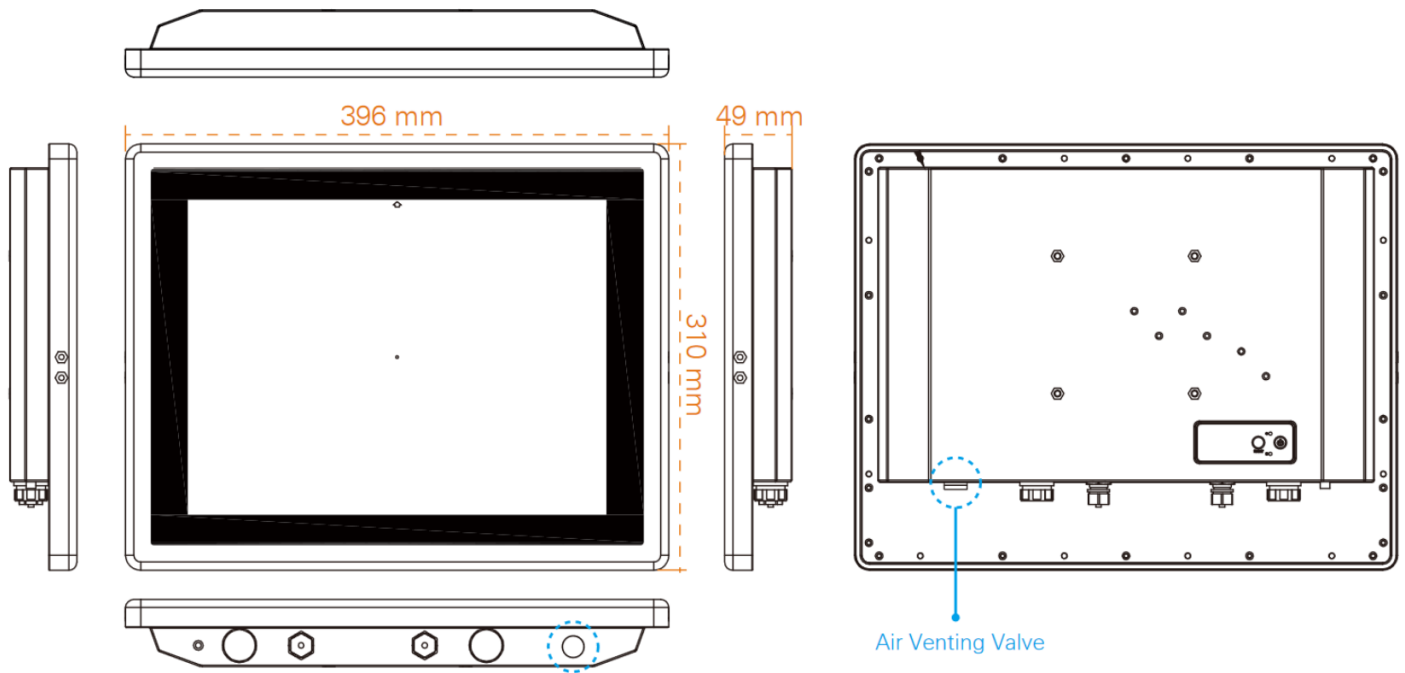
Hazardous: ATEX Zone 2, EX II 3G Ex ic nA IIC T4 Gc
 UL Class I, Div.2, Groups ABCD T4, ANS/ISA12.12.01
 CAN/CSA C22.2 No. 213-M1987
 EMC: FCC, CE, CSA, UL60950-1
 Ordinary: UL60950-1, CSA C22.2 No. 60950-1-07, EN60950-1,
 IEC 60950-1
 Shock / Drop: MIL-STD-810G Method 516.6
 Vibration: MIL-STD-810G Method 514.6

Front



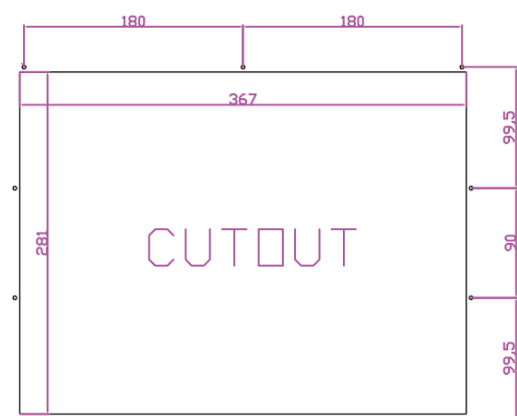
WM BT-R15 Panel PC - ATEX

Technical drawings



Mounting instruction

Customer's Cutout



Mount the Unit to the Enclosure

