

TOUCAN MAX series

Industrial-grade panel PCs with large-scale 32 ~ 65-inch displays

Features

- › Industrial high-end LCD (LED backlight) panel PCs
- › 32" to 65" display sizes available
- › Intel® Core™ Tigerlake 11th Gen. i5-1145G7E up to 4.1GHz
- › DDR4L 3,200MHz dual-channel SODIMM RAM up to 64GB
- › PCAP multitouch screen or tempered AR glass
- › 1,920 x 1,080 @ 60Hz full HD resolution
- › Front IP65 (Rear IP54 available as an option)
- › Fully fanless, sturdy metal enclosure



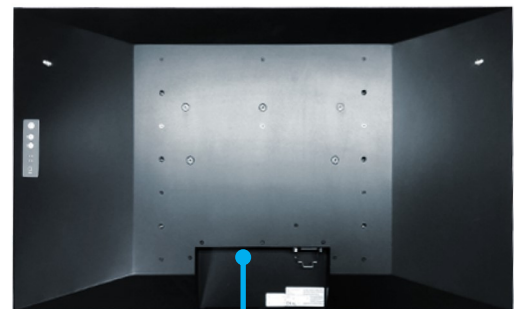
With large-scale 32-, 43-, 55- or 65-inch displays



Intel® Core™ Tigerlake 11th Gen. i5-1145G7E CPU



PCAP multitouch or tempered AR glass



Rear IP54 optional

Maximum screen diagonals with maximum performance

The TOUCAN MAX series is a robust and powerful range of panel PCs designed for use in demanding environments. The models feature a choice of 32-, 43-, 55- or 65-inch touchscreens. They offer a resolution of 1,920 x 1,080 pixels, enabling clear and crisp display of information and data.

The panel PCs are equipped with a powerful 11th generation Intel® Core™ i5 processor for fast and efficient performance. Up to 64GB of DDR4L memory is available, as well as a memory slot for an M.2 SSD or a 2.5" SSD. This ensures smooth and reliable system performance. An integrated TPM 2.0 module allows an installation of Windows 11 OS.

In addition, the TOUCAN MAX series is equipped with a wide range of ports, including USB 3.2, HDMI, DisplayPorts, COM and LAN. The panel PCs offer fanless, rugged metal enclosures that increase

resistance to vibration, shock and environmental conditions. The screen fronts are also protected from dust and water and meet IP65 requirements. An optional dust cap can provide the rear of the unit with full IP54 protection.

The TOUCAN MAX series offers a reliable and powerful solution for industrial applications that require rugged and durable hardware. The large LCD monitors allow multimedia applications to be displayed on a large scale and smoothly. Among others, production facilities, automated manufacturing plants as well as retail trade benefit from this.

TOUCAN MAX series

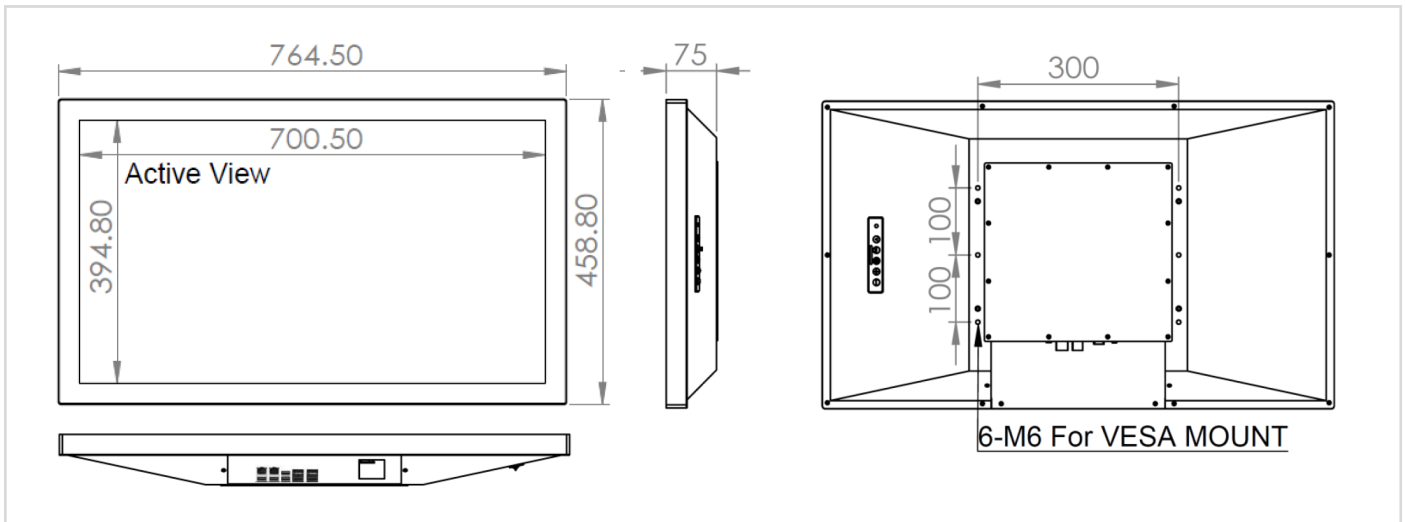
Industrial-grade panel PCs with large-scale 32 ~ 65-inch displays

	32-inch	43-inch	55-inch	65-inch
SYSTEM				
Processor	Intel® Core™ Tigerlake 11 th Gen. i5-1145G7E up to 4.1GHz			
Chipset	System-on-a-Chip (SoC)			
Graphics	Integrated Intel® HD Graphics			
Operating System	Windows 10, Windows 11, Linux			
Ethernet	Intel® i225-LM 2.5GB Ethernet controller, Intel® i219-LM Ethernet connection			
Memory	DDR4L 3,200MHz dual-channel SODIMM up to 64GB			
Storage	1x M.2 SSD or 1x 2.5" SSD			
BIOS	AMI 128Mbit flash			
Watchdog	Programmable 1 ~ 255 sec.			
DISPLAY				
Display Size	32" (81.3cm) LCD (LED backlight)	43" (109.2cm) LCD (LED backlight)	55" (139.7cm) LCD (LED backlight)	65" (165.1cm) LCD (LED backlight)
Resolution	1,920 x 1,080 @60Hz			
Touchscreen	PCAP multitouch or tempered AR glass			
Brightness	450 cd/m ²	400 cd/m ²	450 cd/m ²	500 cd/m ²
Contrast	3,000:1 (typ.)	3,000:1 (typ.)	5,000:1 (typ.)	5,000:1 (typ.)
Colors	16,7M colors	16,7M colors	1,073.7M colors	1,073.7M (10-bit/colors)
Viewing Angle	-89° ~ 89° (H); -89° ~ 89° (V)			
Active Area (mm)	698.4 (H) x 392.85 (V)	940.89 (H) x 529.25 (V)	1,209.6 (H) x 680.4 (V)	1,428.48 (H) x 803.52 (V)
Pixel Pitch (mm)	0.3638 (H) x 0.3638 (V)	0.49 (H) x 0.49 (V)	0.63 (H) x 0.63 (V)	0.744 (H) x 0.744 (V)
I/O				
LAN	2x RJ-45 (1 + 2.5-Gigabit-Ethernet)			
COM	Optional 1x RS-232 (D-sub 9-pin)			
USB	4x USB 3.2 (Gen 2)			
Video	2x HDMI, 2x DisplayPort			
Power	1x AC power input			
MECHANICAL / ENVIRONMENTAL				
Power Adapter	110 ~240V AC input, 150W (typ.)			
Enclosure / Mounting	Metal enclosure / VESA wallmount			
Cooling	Fanless			
Operating Temperature	0° ~ 45°C			
Storage Temperature	-20° ~ 70°C			
Humidity	30 ~ 90%, non-condensing			
Dimensions	764.5 x 458.8 x 75mm	1,004 x 597 x 92.9mm	1,303 x 774 x 95.8mm	1,492 x 867 x 158.4mm
IP Rating	Front IP65 (optional dust protection cover for Rear IP54)			

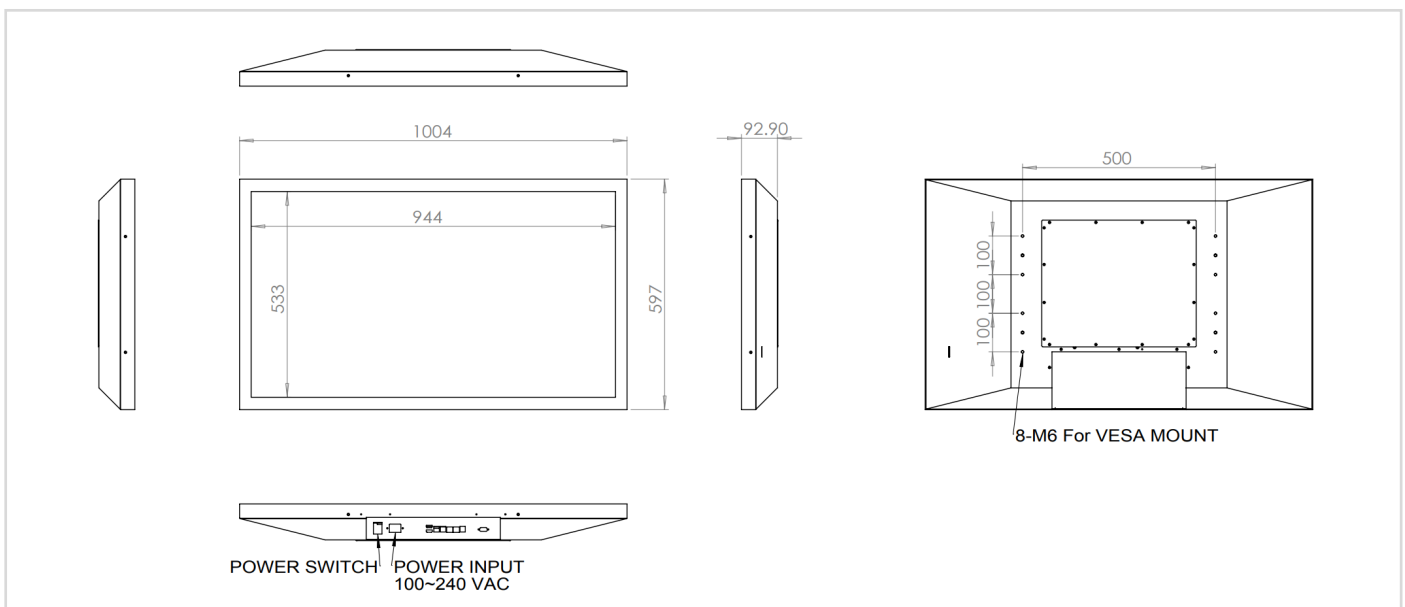
TOUCAN MAX series

Industrial-grade panel PCs with large-scale 32 ~ 65-inch displays

Drawing & dimensions (32-inch)



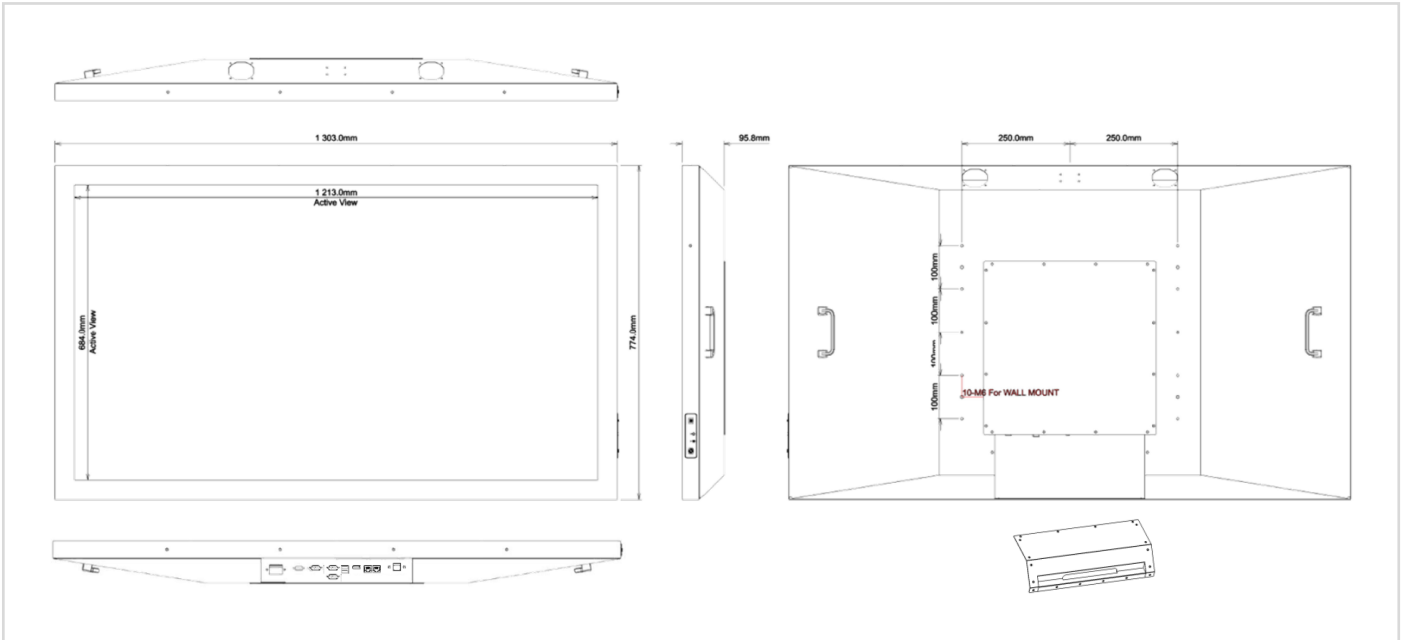
Drawing & dimensions (43-inch)



TOUCAN MAX series

Industrial-grade panel PCs with large-scale 32 ~ 65-inch displays

Drawing & dimensions (55-inch)



Drawing & dimensions (65-inch)

