

SEAL Medical Panel PC Series

Intel® Core™ Skylake/Kabylake | Ø 15.6" - 23.8"

Fanless Medical Panel PCs with Intel® Core™ i5/ i7 Skylake / Kabylake processors

Features

- Fanless medical Panel PC systems
- Intel® Core™ i5/ i7 6th Gen (Skylake)
- Resolution: 1366 x 768 up to 1920 x 1080
- PCAP multi-touch screen
- IP65 display front & antibacterial housing



Medical Panel PCs with Skylake processors

With the easy to integrate Medical Panel PCs of the SEAL series Bressner will show its models with screen sizes from 15.6 to 24 inches especially designed for medical customers. From now on, the series is equipped with Intel Core i7/i5 Skylake processors and thus offers the currently best possible performance for common industrial and medical applications. The series has two DDR4 SODIMM sockets and can be equipped with up to 32GB RAM.

Perfectly suited for hospitals, medical practices or operating rooms

All SEAL Panel PC systems are available with projected, capacitive multi-touch touch screen and are delivered completely configured and with pre-installed operating system. The display front is IP65-certified and therefore protected against dust and water. In addition, the devices have an antibacterial housing. The entire series has a wide range of input and output ports to ensure maximum connectivity with other devices.



SEAL Medical Panel PC Series

Intel® Core™ Skylake/Kabylake | Ø 15.6" - 23.8"

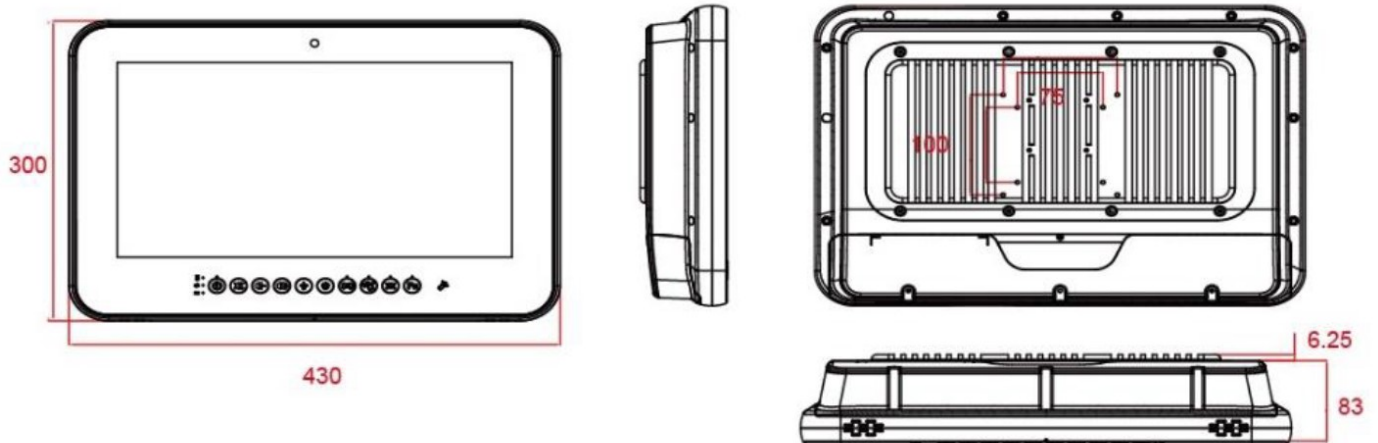
Fanless Medical Panel PCs with Intel® Core™ i5/ i7 Skylake / Kabylake processors

Display size	15.6"	19.0"	21.5"	24.0"
System				
CPU	Intel® Core™ i5/ i7 Skylake / Kabylake			
Chipset	SoC			Intel® Q170
Graphics Card	Intel® HD 520 Graphics	Intel® HD 520 Graphics	Intel® HD 520 Graphics	Intel® HD 530 Graphics
RAM	2x DDR4 2133MHz SODIMM max. 32GB			
Storage Capacity	500 GB HDD 2.5" SATA III, 1x mSATA via PCIe optional 2.5" SSD			
Operating Systems	Windows POSReady 7 (64bit), Windows 8.1 (64bit), Windows Embedded 8.1 Industry (64bit), Windows 10 (64bit), Windows 10 IoT Enterprise			
Display				
Touchscreen	Full flat PCAP multi-touch			
Color Depth	16.7M			
Contrast	500:1	1000:1	1000:1	3000:1
Resolution	1366x768 pixels	1280x1024 pixels	1920x1080 pixels	1920x1080 pixels
Brightness	400cd/m ²	350cd/m ²	250cd/m ²	250cd/m ²
Equipment				
Serial Ports	1x RS232 1x RS232/422/485 Optional: 4kv isolation			2x RS232
USB	4x USB 3.0 Optional: 4kv isolation	4x USB 3.0 Optional: 4kv isolation	4x USB 3.0 Optional: 4kv isolation	2x USB 3.0 2x USB 3.1 Optional: 4kv isolation
Ethernet	2x RJ-45 10/100/1000 Mbps Ethernet Ports Optional: 4kv isolation	2x RJ-45 10/100/1000 Mbps Ethernet Ports Optional: 4kv isolation	2x RJ-45 10/100/1000 Mbps Ethernet Ports Optional: 4kv isolation	1x RJ-45 10/100/1000 Mbps Ethernet Ports Optional: 4kv isolation
Video	2x Display-Port			
Audio	2x speaker (2W) 2x 3.5mm Line-In / Out	2x speaker(2W) 2x 3.5mm Line-In / Out	2x speaker(1,5W) 2x 3.5mm Line-In / Out	2x speaker(2W) 2x 3.5mm Line-In / Out
Expansion Slots	1x Mini-PCIe slot 1x M.2 Type E slot 1x PCIe x4 slot (optional) Optional: 802.11 ac/a/b/g/n WLAN + Bluetooth module			
Mechanics				
Power Supply	9~32 VDC-in (12V ~ 28V with battery pack)	9~32 VDC-in	9~32 VDC-in	9~32 VDC-in
Power Adapter	AC input 100~240V / 47 ~ 63 Hz / DC output 12V, 100W	AC input 90~264V / 47 ~ 63 Hz / DC output 12V, 100W	AC input 100~240V / 47 ~ 63 Hz / DC output 12V, 100W	AC input 100~240V / 47 ~ 63 Hz / DC output 24V, 180W
Dimensions	430 x 83 x 300 mm	450 x 85.3 x 420mm	540 x 78 x 375 mm	606 x 65.6 x 398 mm
Weight	5kg	7,5kg	7,0kg	9,7kg
Mounting	VESA mount 75mm / 100mm	VESA mount 75mm / 100mm	VESA mount 75mm / 100mm	VESA mount 100mm
Environmental				
Fan	Fanless			
Operating Temp.	±0° ~ 35° C			
Storage Temp.	-20° ~ 60° C			
Humidity	10% ~ 90% non-condensing			
IP Protection	IP65 front, IPx1 System, anti-bacterial housing			
Certification	cULus/EN/UL/60601-1, 60601-1-2 4th Edition, IEC62133, FCC/CE/VCCI Class B, Energy Star 6.1 Compliance			

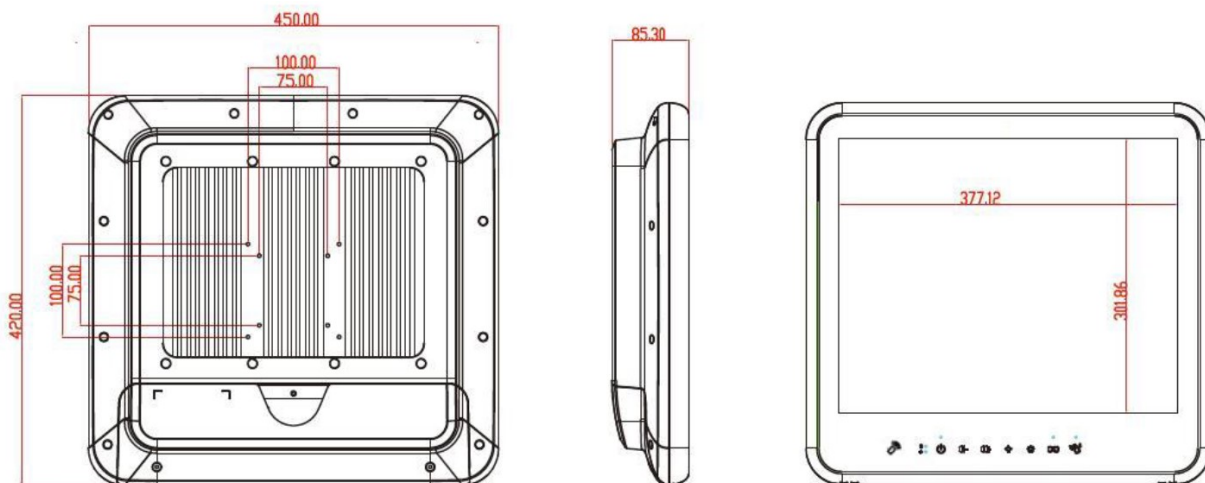
SEAL Medical Panel PC Series

Intel® Core™ Skylake/Kabylake | Ø 15.6" - 23.8"

Technical layout (in mm) | 15.6"



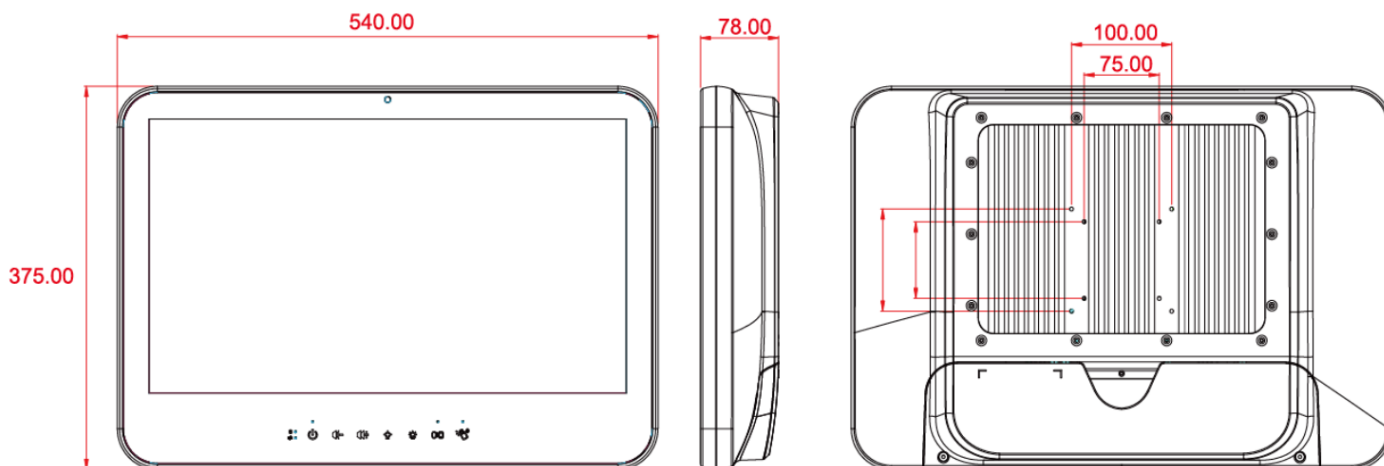
Technical layout (in mm) | 19.0"



SEAL Medical Panel PC Series

Intel® Core™ Skylake/Kabylake | Ø 15.6" - 23.8"

Technical layout (in mm) | 22.0"



Technical layout (in mm) | 24.0"

