

SCP CUBE MK2

Next-Gen supercapacitor for industrial power backup

Features

- Supercapacitor for industrial backup power supply
- Suitable for industrial box PCs and panel PCs
- Maintenance-free supercapacitor
- No risk of overcharging
- Operating temperature: -20 °C ~ 70 °C



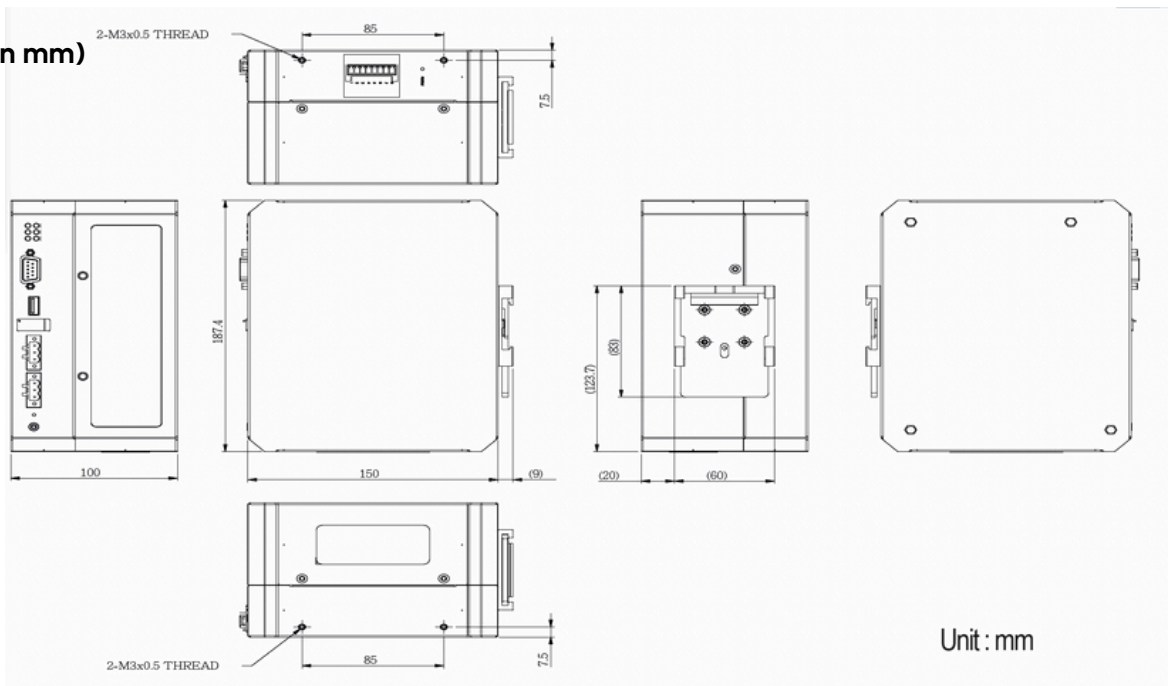
SCP CUBE MK2: Reliable Next-Gen Supercapacitor-based industrial power supply backup

The SCP CUBE MK2 from ARBOR Technology is an innovative solution for the power supply of industrial box PCs and panel PCs. This solution is based on maintenance-free supercapacitors that provide safe and reliable power backup without the risk of fire or explosion. The product ensures controlled charging and discharging, eliminating the risk of overcharging.

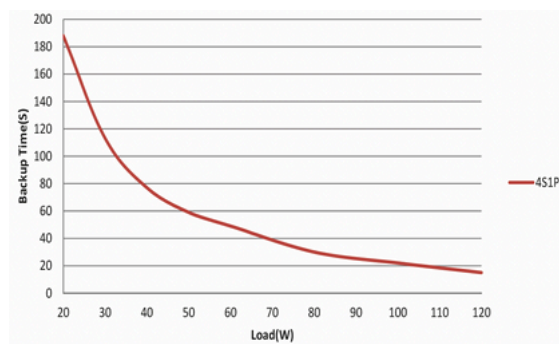
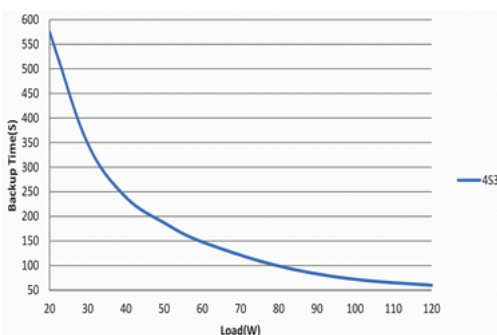
Secure and eco-friendly

The SCP CUBE MK2 eliminates the risk of overcharging and offers a complete discharge function for maximum safety. By using environmentally friendly materials without hazardous substances, this product meets the highest standards for environmental protection.

Dimension (in mm)



Backup Time vs Load Chart



SCP CUBE MK2

Next-Gen supercapacitor for industrial power backup

Specifications	SCP CUBE MK2
SYSTEM	
Chip	High Current Super CAP Backup Controller
Supercapacitor Capacity	400 Farads / each
Operating System	Windows 7 Windows 10
POWER REQUIREMENT	
Power Input	DC 12~35V input support
Power Output	DC 12V / 24V output with switch support, max. 60W
INTERFACE	
Power Input	1x 3-pin terminal block
Power Output	1x 3-pin terminal block
Switch for Power Output	1x Slide switch
USB	1x Type-A connector
COM	1x COM with RS-232
Signal In/Out	1x 8-pin terminal block
ENVIRONMENTAL	
Chassis	DIN rail-mounting chassis and SGCC steel chassis
Operating Temperature	-20°C ~ 70°C
Storage Temperature	-30 °C ~ 80 °C
Vibration / Shock Resistance	Vibration: 0.5 Grms / 5~500Hz / random operation Shocks: during operation 10G (11ms) in non-operation 30G
Humidity	10 ~95% @ 60°C, non-condensing
Dimensions	100 (W) x 150 (H) x 187.4 (D) mm
Weight	2.2 kg
Mounting	DIN rail-mounting with bracket
Certification	CE, FCC Class A

SCP CUBE MK2

Next-Gen supercapacitor for industrial power backup

Ordering Information	SCP CUBE MK2
MODEL NO.	
SCP-43-MK2	4S3P supercap power backup system MK
SCP-41-MK2	4S1P supercap power backup system MK