

OSS-PCIe3-BP-412

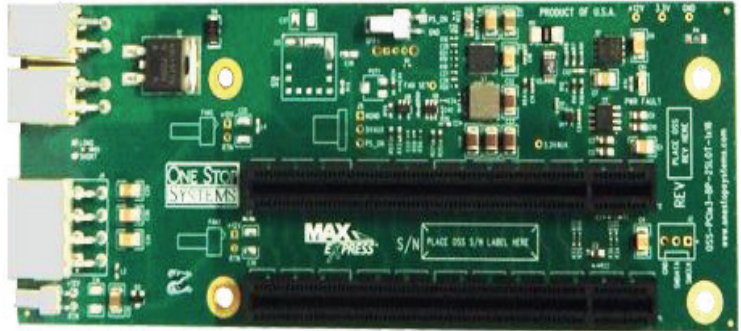
Expansion Backplane, 1x PCIe 3.0 x16 slot

Requires an OSS target adapter card in the host interface card slot. Cable and adapter card sold separately.

PN: OSS-BP-412

Features

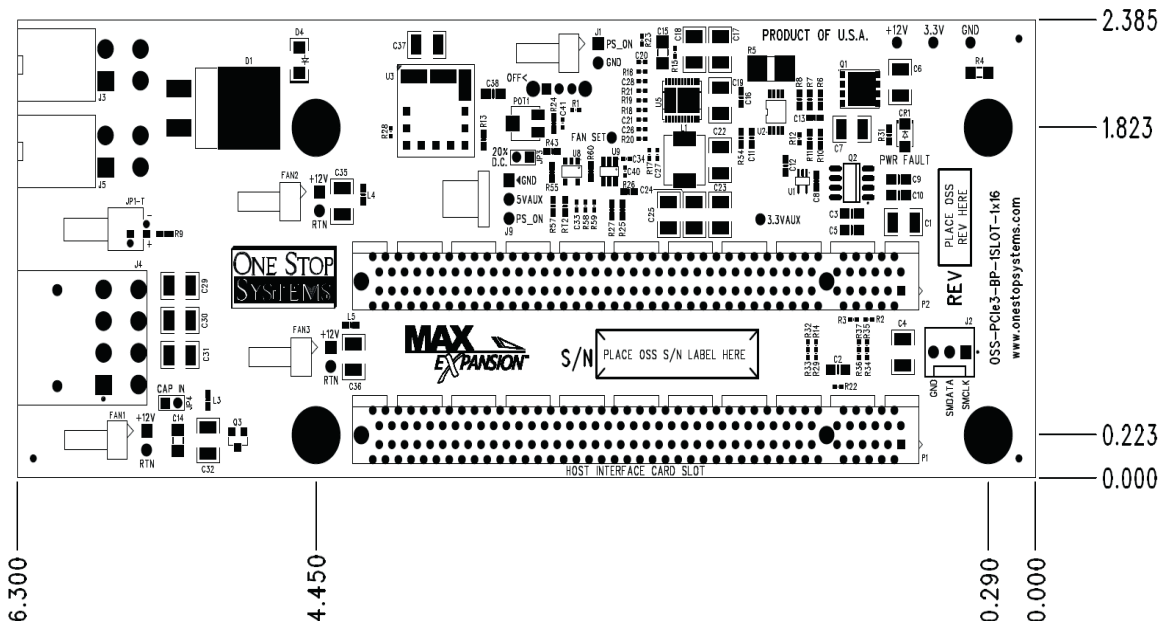
- One OSS PCIe x16 3.0 target slot for OSS target cable adapter
- One PCIe x16 3.0 expansion slots (x16 mechanical)
- 12 VDC Input
- Thunderbolt power connector
- Fan speed controller



Specifications

Dimensions (H x L):	2.385" x 6.3"
Power:	12 VDC
Slots:	1 OSS target slot (for OSS target cable adapter only) 1 PCIe x16 3.0 electrical; x16 mechanical slots

Dimensional Drawing



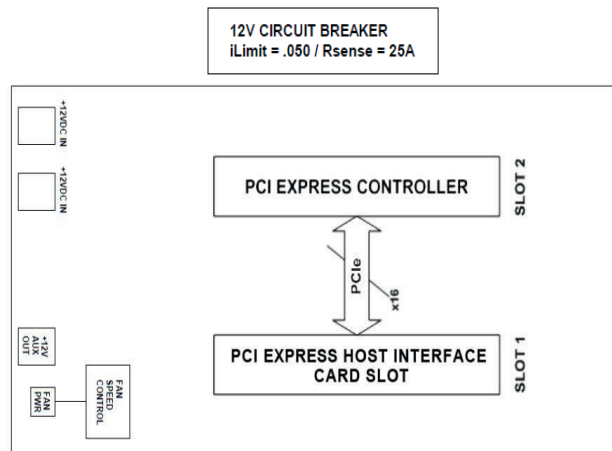
OSS-PCIe3-BP-412

Expansion Backplane, 1x PCIe 3.0 x16 slot

NOTE: The 412 backplane allows variable speed control on the FAN1 connector using a thermocouple controlled circuit optimized for thermals of the OSS CUBE™ family of products. OEMs can use FAN1 or the other fan connectors (FAN2 & FAN3) for standard 12V power and ground connections.

NOTE: The power ON connector is only used in Thunderbolt cable configurations. Forcing the power ON in PCIe configurations using the header connector on the backplane may cause the expansion backplane to not enumerate properly with the host system.

Block Diagram



Connector Pin-Outs

Connector	Definition
J1	Force Power On
J3	12V Input Power
J4	Aux Target Power
JP1, JP4	Power Standby LED Connector

J1 – Force Power On (Molex P/N: 22-05-3021)

Pin	Definition
1	CE_PWR_ON#
2	GND

J4 – Aux Target Power (Molex P/N: 39-30-1080)

Pin	Definition	Pin	Definition
1	GND	5	+12V
2	GND	6	+12V
3	GND	7	+12V
4	GND	8	+12V

FAN1, FAN2, FAN3 – Fan Speed Control (Molex P/N: 22-05-3021)

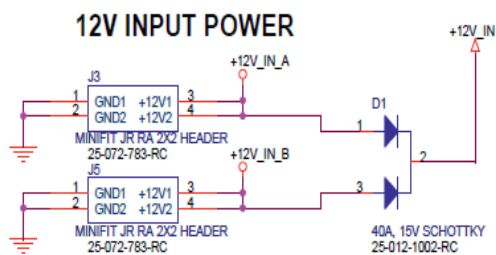
Pin	Definition
1	+12V
2	FAN_RTN

NOTE: FAN2 and FAN3 can be installed upon request.

NOTE: Fan 1 is Temperature Controlled.

J3, J5 – 12V Input Power (Molex P/N; 0366330020)

Pin	Definition	Pin	Definition
1	GND1	3	+12V1
2	GND2	4	+12V2



JP1, JP4 – Power Standby LED (Samtec P/N; TFM-102-01-L-S-RA)

Pin	Definition
1	+3.3VAUX
2	GND