

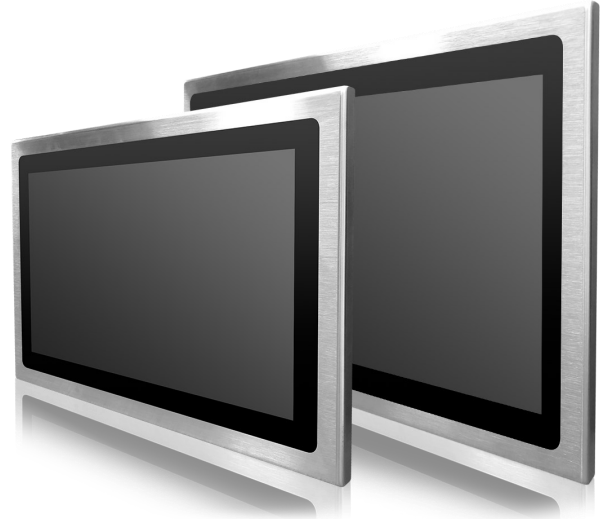
ORCA PRO PPC series

Ø 15.6" - 24"

Fanless slim Full IP66/IP67 panel PCs with Intel® Tigerlake Core i5 processor

Features

- Fanless and slim design
- Intel® Tigerlake Core i5 1145G7E
- Resolution: 1366 x 768 up to 1920 x 1200
- PCAP multi-touch screen or resistive touch
- Full IP66/IP67 stainless steel case (SU316) with corrosion protections
- Custom interfaces on request

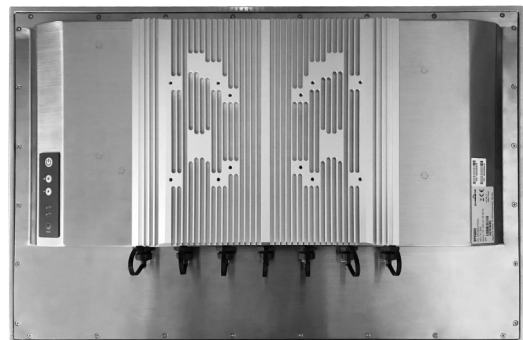


Customization for industrial applications

The Panel PCs feature two SODIMM sockets with a maximum of 64GB DDR4 RAM memory. An RS-232/422/485 port is available as a serial interface. In addition, the ORCA PRO series comes by default with two USB 2.0 interfaces and one RJ-45 GbE LAN port. All interfaces have an IP67 circular connector and can be configured according to customer requirements.

User-friendly slim stainless steel panel PCs with 15.6", 22" or 24"

For industrial applications, the new ORCA PRO models come with a rugged full IP66/IP67 stainless steel enclosure with additional corrosion protection, which protects the panel PCs against dust and temporary submersion. Additionally, it is possible to upgrade the units with a full IP69K stainless steel enclosure, which allows the Panel PCs to be cleaned even with high-pressure steam cleaners.



ORCA PRO PPC series

Ø 15.6" - 24"

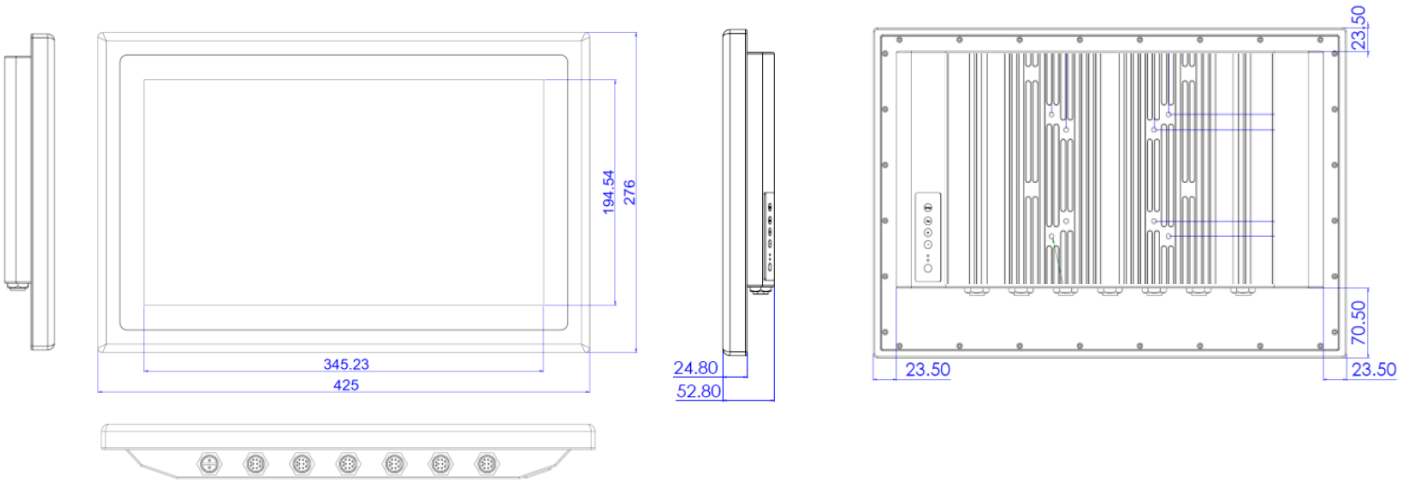
Fanless slim Full IP66/IP67 panel PCs with Intel® Tigerlake Core i5 processor

System	
CPU	Intel® Tigerlake Core i5 1145G7E 2.3GHz Intel® Haswell Core i5 (optional)
Graphics	Intel® HD Graphics
Chipset	Intel SoC Integrated
RAM	2x DDR4-3200 MHz 8GB (up to 64GB)
LAN Chipset	1x Intel® i225-LM Ethernet Controller 1x Intel® i219-LM Ethernet Connection
Expansion Slots	1x M.2 Typ E (2230) 256GB SSD 1x WiFi 802.11 b/g/n/ac (optional)
Operating Systems	Windows® 10 Windows® 11 ready
Display	
Display type	15.6"(39.62cm) LED backlight 22"(55.9cm) TFT LCD 24" (60.96cm) LCD with LED backlight
Touchscreen	Resistive touch or PCAP multi-touch
Resolution	1920x1080 @ 60Hz
Colour Range	16,7M
Viewing Angle	15.6": -89~89 (H) ; -89~89 (V) 22": -85~85 (H) ; -80~80 (V) 24": -89~89 (H) ; -89~89 (V)
Brightness	15.6": 400cd/m ² 22": 300cd/m ² 24": 250cd/m ² Optional: 1.000cd/m ²
Interfaces	
Serial ports	1x RS-232/422/485 (IP67 connector)
USB	2x USB 2.0 (IP67 connector)
Ethernet	1x RJ-45 GbE LAN (IP67 connector)
Power Supply	C 110 ~ 240 V, Universal, ±10% (IP67 connector) 9~36V DC Input (optional)
Power Consumption	50W (typ.)
Mechanics/Environment	
IP Protection	Full IP66 (15.6"), Full IP67 (22" or 24") or IP69K / SUS316 stainless steel housing with corrosion protection, slim design
Fan	Fanless with heat fin
System indicator	1x Power LED, 1x HDD LED, 1x Brightness +/-, 1x Touch On/Off
Mounting	VESA 75 x 100 mm
Dimensions (WxHxD)	15.6": 425 x 276 x 52.8mm 22": 585 x 376 x 52.8mm 24": 616 x 386 x 68mm
Operating Temperature	-10° to 55°C
Humidity	10% to 95% (non-condensing)
Weight	15.6": TBD, 22": 12kg, 24": 15kg

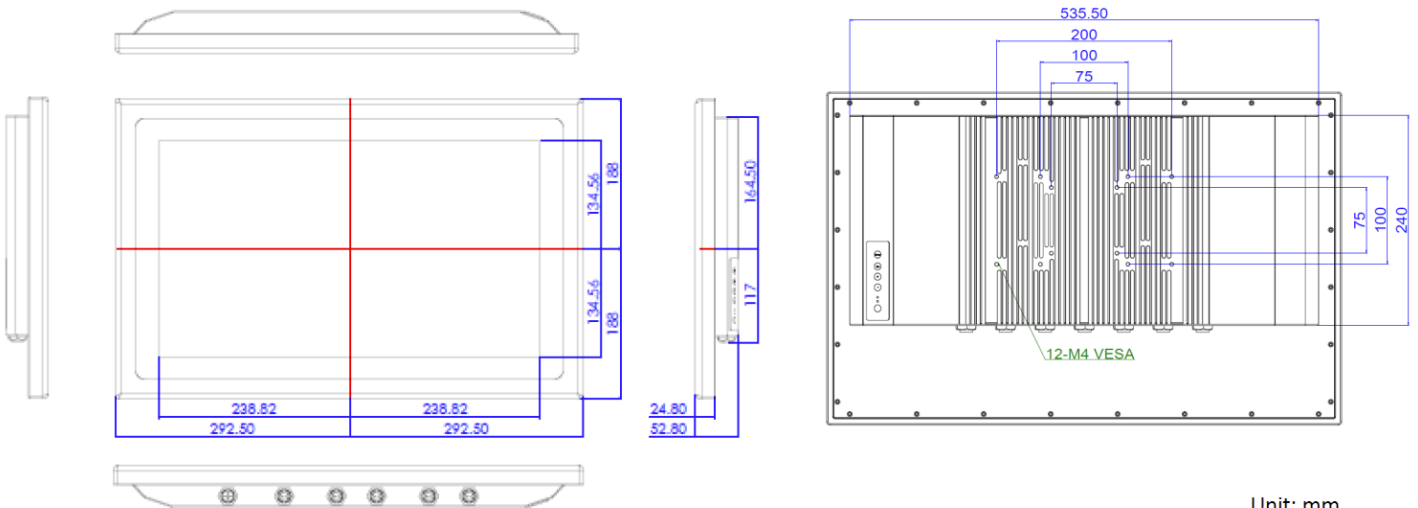
ORCA PRO PPC series

Ø 15.6" - 24"

Technical drawing—15.6"



Technical drawing—22"



Unit: mm

ORCA PRO PPC series

Ø 15.6" - 24"

Technical drawing—24"

