

# ORCA

## Full IP66 - Core™ Series - 24"

Fanless Full IP66 Panel PC with Intel® 8<sup>th</sup> Core™ i7/ i5 processor

### Features

- Fanless design
- Full IP66 NEMA4X/ IP69K
- PCAP touch display
- M12 connectors for every I/O
- Optional WiFi with external antenna

System	
<b>CPU</b>	Intel® Core™ i7/ i5 8 <sup>th</sup> Gen. Whiskey Lake CPU
<b>Chipset</b>	SoC
<b>Graphics Card</b>	Integrated Intel® HD 520 Graphics
<b>RAM</b>	2x DDR4 SODIMM socket, 2666 MHz up to 32GB
<b>Storage Capacity</b>	1x 128GB SSD, SATA III, optionally larger capacity
<b>Operating System</b>	Windows® 10, Windows® 8 Embedded, Windows® 8 Industrial, Windows® 7 Pro, Windows® 7 Embedded
<b>Expansion Slots</b>	1x Mini PCIe 1x M.2 Type E
Display	
<b>Size</b>	23.8" 16:9
<b>Touch Type</b>	Full Flat PCAP Multi-Touch
<b>Resolution</b>	1920 x 1080 (Full HD)
<b>Color</b>	16.7M colors (RGB 6-bit + Hi FRC)
<b>Viewing Angle</b>	178 (H) / 178 (V)
<b>Contrast</b>	3000:1
<b>Brightness</b>	250 cd/m <sup>2</sup>
Interface	
<b>USB</b>	1x M12 8-pin for USB 1 / 2 1x M12 8-pin for USB 2 / 3
<b>Ethernet</b>	1x M12 8-pin for RJ-45 Gigabit LAN
<b>Serial</b>	2 x M12 8pin for COM 1/COM2 / RS-232/422/485
<b>Power Input</b>	1x M12 5-pin for DC power input
<b>Power Adapter</b>	AC 100 ~ 277 V / 47 ~ 63 Hz / DC output 12V, IP68
Mechanical / Environmental	
<b>IP Protection</b>	IP66, NEMA4X, IP69K/ SUS304 stainless steel enclosure, chassis type
<b>Dimensions</b>	626.6 x 396.1 x 64.0mm (W x H x D)
<b>Temperature</b>	Operating: 0° to 40°C / Storage: -20° to 60°C
<b>Weight</b>	14.8 kg
<b>Certificates</b>	CE (EMC) :EN61000-6-4 ; EN61000-6-2 / FCC/VCCI Class B

Front



I/O



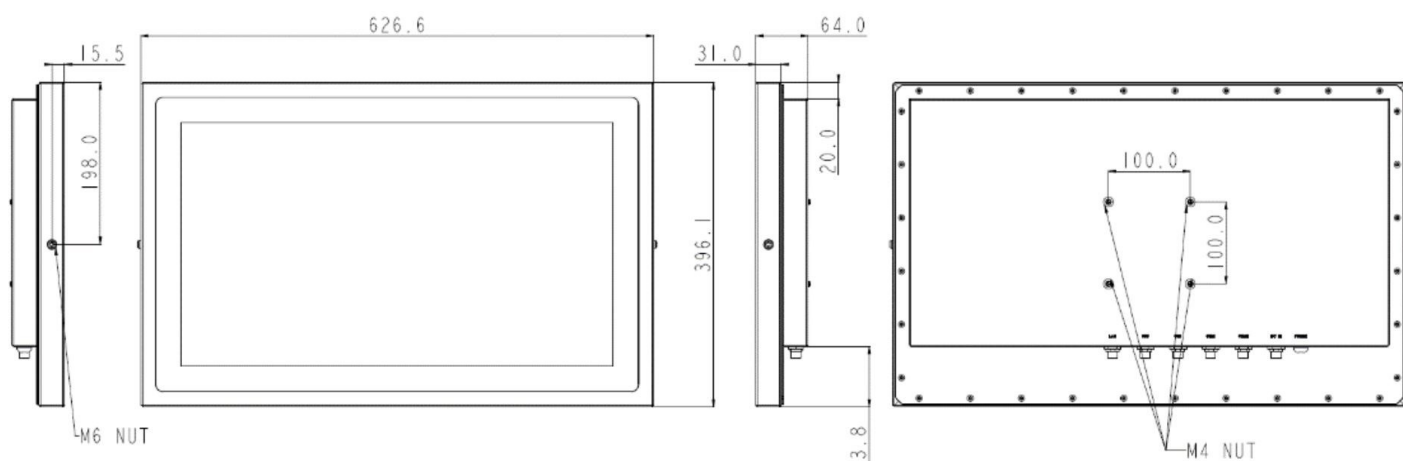
Rear



# ORCA

## Full IP66 - Core™ Series - 24"

### Technical Layout



### Optional Accessories

#### Table Stand



#### Wall Mount

