

ORCA

Full IP66 - Core™ Series - 19"

Fanless Full IP66 Panel PC with Intel® 8th Gen Core™ i7/ i5 processor

Features

- Fanless design
- Full IP66 stainless steel housing, optional Full IP69K
- Resistive touch screen, optional PCAP
- M12 connectors for every I/O

System	
CPU	Intel® Core™ i7/ i5 8 th Gen. Whiskey Lake CPU
Chipset	Intel® SoC Chipset Whiskey Lake
Graphics Card	Integrated Intel® HD Graphics
RAM	2x DDR4 SODIMM socket, up to 32GB
Storage Capacity	1x 2.5" SATA HDD / SSD
Expansion	1x Mini PCIe, 1x M.2 Type E
Operating System	Windows® 10, Windows® 8 Embedded, Windows® 8 Industrial, Windows® 7 Pro, Windows® 7 Embedded
Display	
Size	19" 4:3
Touch Type	Full Flat Resistive touch
Resolution	1280 x 1024
Color	16.7M colors (RGB 6-bit + Hi FRC)
Viewing Angle	160 (H) / 160 (V)
Contrast	600:1
Brightness	450 cd/m ²
Interface	
USB	1x M12 8-pin for USB 1 / 2 1x M12 8-pin for USB 3 / 4
Ethernet	1x M12 8-pin for RJ-45 Gigabit LAN
Serial	2 x M12 8pin for COM 1/COM2 / RS-232/422/485
Power Input	1x M12 5-pin for DC power input
Power Adapter	AC 100 ~ 277 V / 47 ~ 63 Hz / DC output 12V, IP68
Mechanical / Environmental	
IP Protection	IP66, NEMA4X, IP69K/ SUS304 stainless steel enclosure, chassis type
Dimensions	458 x 386 x 64mm (W x H x D)
Temperature	Operating: 0° to 40°C 0° ~ 50°C (option) Storage: -20° to 60°C
Weight	11.5 kg
Certificates	CE (EMC) :EN61000-6-4 ; EN61000-6-2 / FCC/VCCI Class B

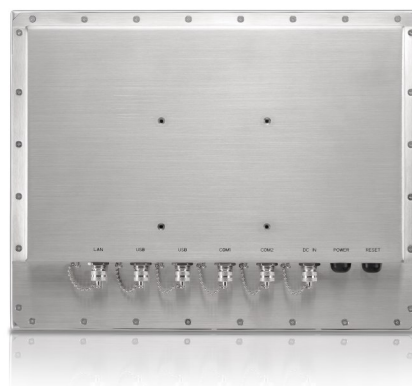
Front



I/O



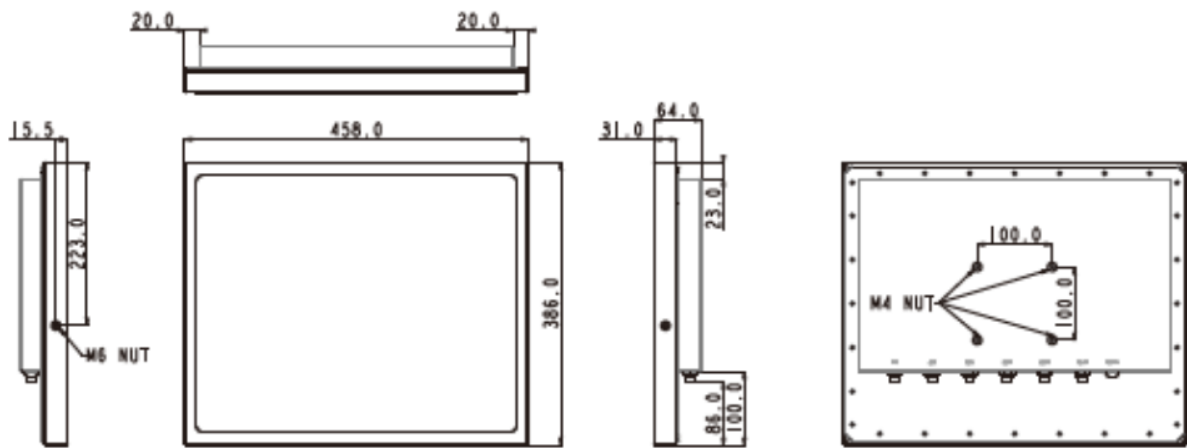
Rear



ORCA

Full IP66 - Core™ Series - 19"

Technical Layout



Optional Accessories

Table Stand



Wall Mount

