

# ORCA Full IP66 - J3455 15"

## Full IP66 fanless stainless steel Panel PC

### Features

- 15" Full IP66 fanless system
- Resolution: 1024 x 768 | 450 cd/m2
- Touchscreen: full flat resistive touch
- Intel® Celeron® J3455
- Dimensions: 395 x 309.5 x 58 mm

### System

<b>CPU</b>	Intel® Celeron® J3455
<b>Graphics Card</b>	Intel® HD 500 Graphics
<b>RAM</b>	1x DDR3L SODIMM up to 8GB
<b>Storage Capacity</b>	1x 2,5" SATA HDD drive bay 1x M.2 SATA III SSD 2280 slot

### Display

<b>Size</b>	15"
<b>Touch Type</b>	Resistive touch
<b>Resolution</b>	1024 x 768 (HD)
<b>Color</b>	16.2M colors
<b>Viewing Angle</b>	160 (H) / 160 (V)
<b>Contrast</b>	800:1
<b>Brightness</b>	450 cd/m <sup>2</sup>

### Interface

<b>USB</b>	1x M12 8-pin for USB 1 / 2 1x M12 8-pin for USB 3 / 4
<b>LAN</b>	1x M12 8pin LAN
<b>Serial</b>	1x M12 8pin RS-232/422/485 1x M12 8pin RS232
<b>Expansion</b>	1x M.2(E key 2230) 1x Mini-PCIe 52 pin

### Mechanical / Environmental

<b>Power Input</b>	AC 90~264V / 47 ~ 63 Hz / DC output 12V, 60W (IP68 PSU w/ PSE)
<b>IP Protection</b>	Full IP66
<b>Dimensions</b>	395 x 309.5 x 58mm (W x H x D)
<b>Temperature</b>	Operating: ±0° to 45°C Storage: -20° to 60°C
<b>Humidity</b>	10% ~ 90%, non-condensing
<b>Mount</b>	VESA Mount 100
<b>Weight</b>	7.6kg
<b>Certificates</b>	FCC / CE (EMC)/ VCCI Class B

Front



I/O

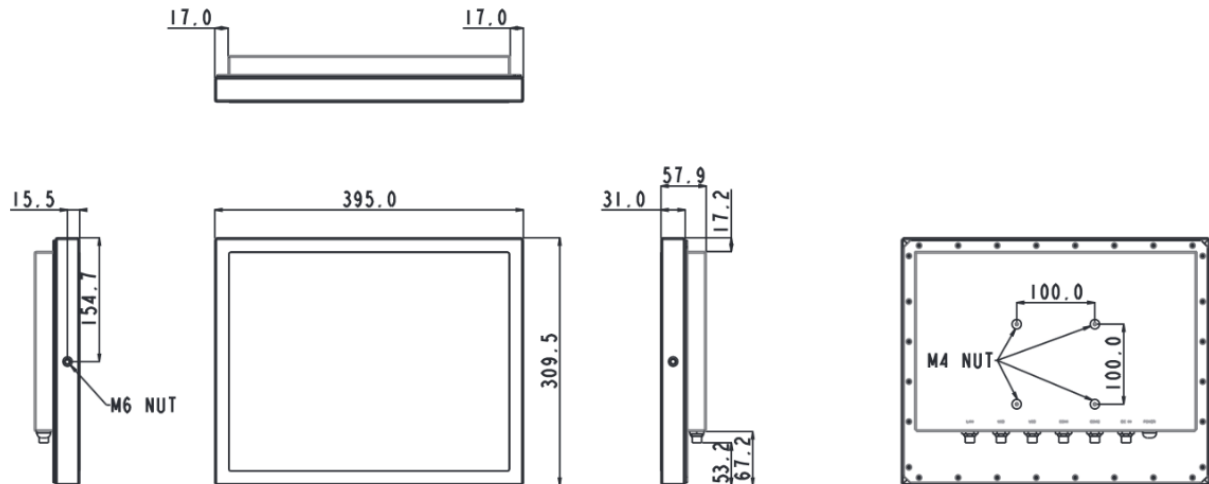


Rear



# ORCA Full IP66 - J3455 15"

## Technical Layout



## Optional Accessories

### Table Stand



### Wall Mount

