

Marine R Display Series

Panel mount touch displays | Ø 10.4" - 24"

Industrial panel mount touch display series with marine grade

Features

- 10.4" to 24" display sizes
- Resolution up to 1920 x 1080
- IP66 front protection
- High brightness models available
- Resistive or SAW (IP54) touch
- Best-suited for maritime environments



Flexible panel mount touch displays with marine grade

The industrial Marine Touch Displays offer a wide range of functions and are suitable for use in maritime environments. Due to an anodized aluminum housing, the displays have an increased shock and vibration resistance. In addition to their robustness, they also convince with reliability and an appropriate flexibility for different applications. Due to an effective cooling, fanless operation is also possible. This makes the Marine displays especially suitable for applications in ship communication or for maritime control technology.



Waterproof front according to IP66 — also available as high brightness models

Due to their IP66 front protection, the monitors offer reliable protection against the environmental influences of dust, water and dirt. Various touch screen variations, such as resistive or SAW touch (IP54), ensure good operability. Screen sizes range from 10.4 inches to 24 inches with an aspect ratio of 16:9 or 4:3 at a maximum resolution of 1920×1080 pixels. In addition, a viewing angle of up to 178 degrees vertically and 178 degrees horizontally ensures good readability from a wide range of perspectives. The Marine Displays are also available in a High Brightness version with up to 1000 cd/m².



Marine R Display Series

Panel mount touch displays | Ø 10.4" - 24"

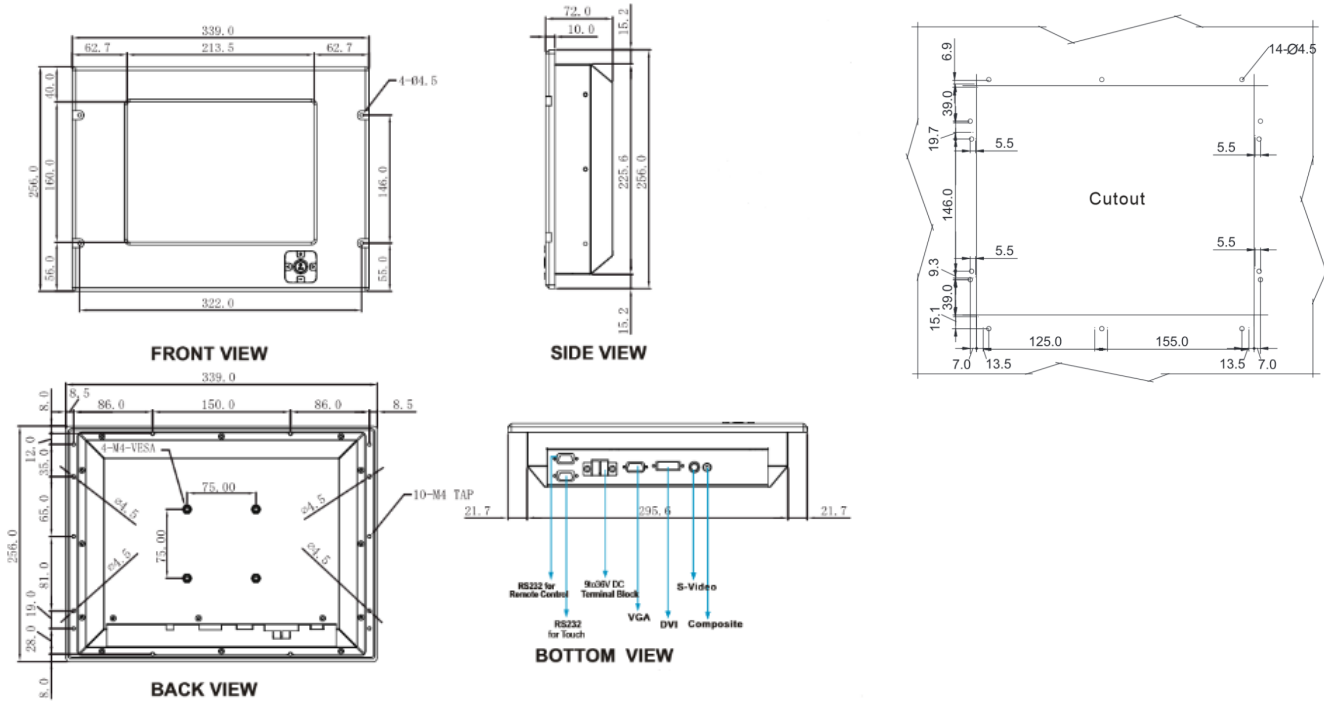
Display	10.4"	12.1"	12.1" HB	15"	17"
Touchscreen	Resistive, SAW (IP45)				
Resolution	800 x 600	1024 x 768			
Brightness	400 cd/m ²	500cd/m ²	1.000cd/m ²	400 cd/m ²	350cd/m ²
Contrast	500:1	700:1		700:1	1.000:1
Color Depth	16.2M(8-Bits/color)		16.7M(8-Bits/color)	16.2M(8-Bits/color)	16.7M(8-Bits/color)
Active Display (mm)	211.20 x 158.40	245.76 x 184.32		304.13 x 228.01	337.92 x 270.34
Viewing Angle	-70~70 (H)/-40~60(V)	-80~80 (H)/-70~70(V)	-70~70(H)/-60~50(V)	-70~70(H)/-70~60(V)	-80~80(H)/-70~70(V)
Interface					
Video	1x VGA (D-Sub 15-Pin) 1x Video Chinch 1x SVHS 1x DVI-D 24 Pin				
Mechanical					
Power Input	24V DC-In, power supply unit with terminal block	9~36V DC with terminal block (isolated)		24V DC mit terminal block (isolated)	9~36V DC mit terminal block (isolated)
Power Consumption	21W	32W		40W	48W
Dimensions	339 x 256 x 72mm 322x240mm Cut Out	337,2 x 293,2 x 70,8mm 307x259,9mm Cut Out		412 x 345 x 79.7 mm 359.6x301.2mm Cut Out	460 x 410 x 77.2 mm 405x356 mm Cut Out
Environmental					
Operating Temp.	-15° ~ 55° C				
IP-Protection	Front IP66				

Display	19"	20.1"	23.1"	24"	24" HB
Touchscreen	Resistive, SAW (IP54)				
Resolution	1280 x 1024	1600 x 1200	1600 x 1200	1920 x 1080	1920 x 1080
Brightness	400cd/m ²	300cd/m ²	500cd/m ²	250cd/m ²	900cd/m ²
Contrast	1.000:1	800:1	600:1	5.000:1	5.000:1
Color Depth	16.7M(8-Bits/color)				
Active Display (mm)	376.32 x 301.06	408 x 306	470.40 x 352.80	531.36 x 298.89	
Viewing Angle	-85~85 (H)/-80~80(V)	-89~89(H)/-89~89(V)	-85~85 (H)/-85~85(V)	-85~85 (H)/-80~80(V)	
Interface					
Video	1x VGA (D-Sub 15-Pin) 1x Video Chinch 1x SVHS 1x DVI-D 24 Pin				
Mechanical					
Power Input	24V DC with terminal block (isolated)	9~36V DC with terminal block	24V DC with terminal block (isolated)		
Power Consumption	45W	70W	80W		
Dimensions	483 x 444 x 75 mm 434.9x402mm Cut Out	534 x 485 x 82 mm 468.2x423mm Cut Out	584 x 536 x 115.1 mm 542x499 mm Cut Out	593 x 384 x 62.7 mm 570 x 357 mm Cut Out	593 x 384 x 62.7 mm 570 x 357 mm Cut Out
Environmental					
Operating Temp.	-15° ~ 55° C				
IP-Protection	Front IP66				

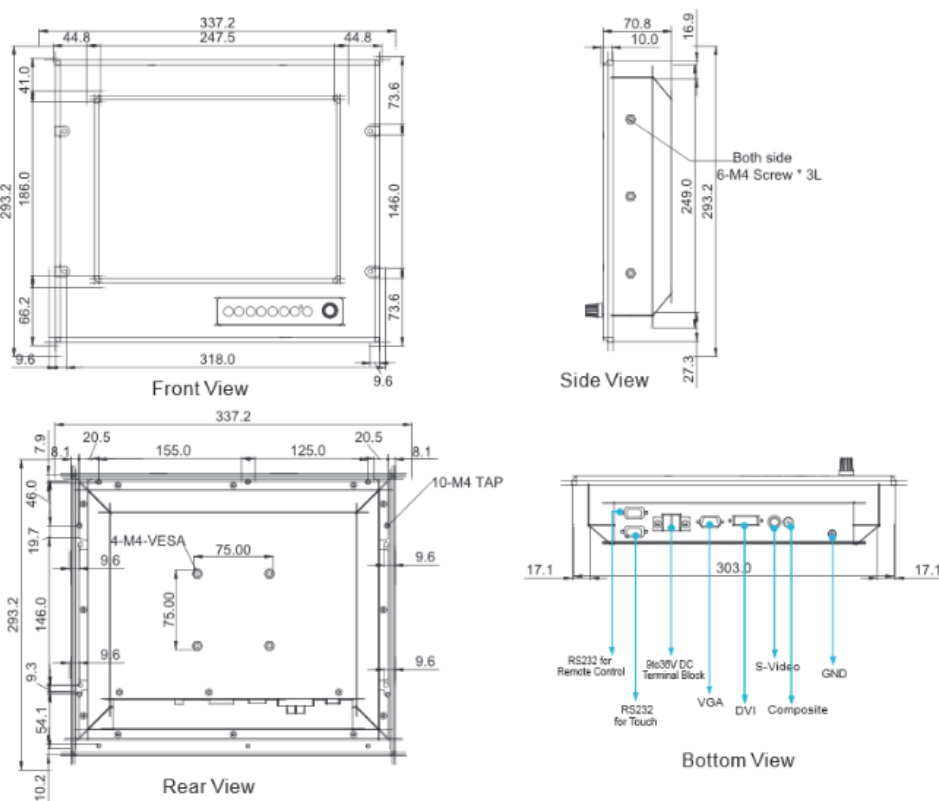
Marine R Display Series

Panel mount touch displays | Ø 10.4" - 24"

10.4" | Mechanical drawing



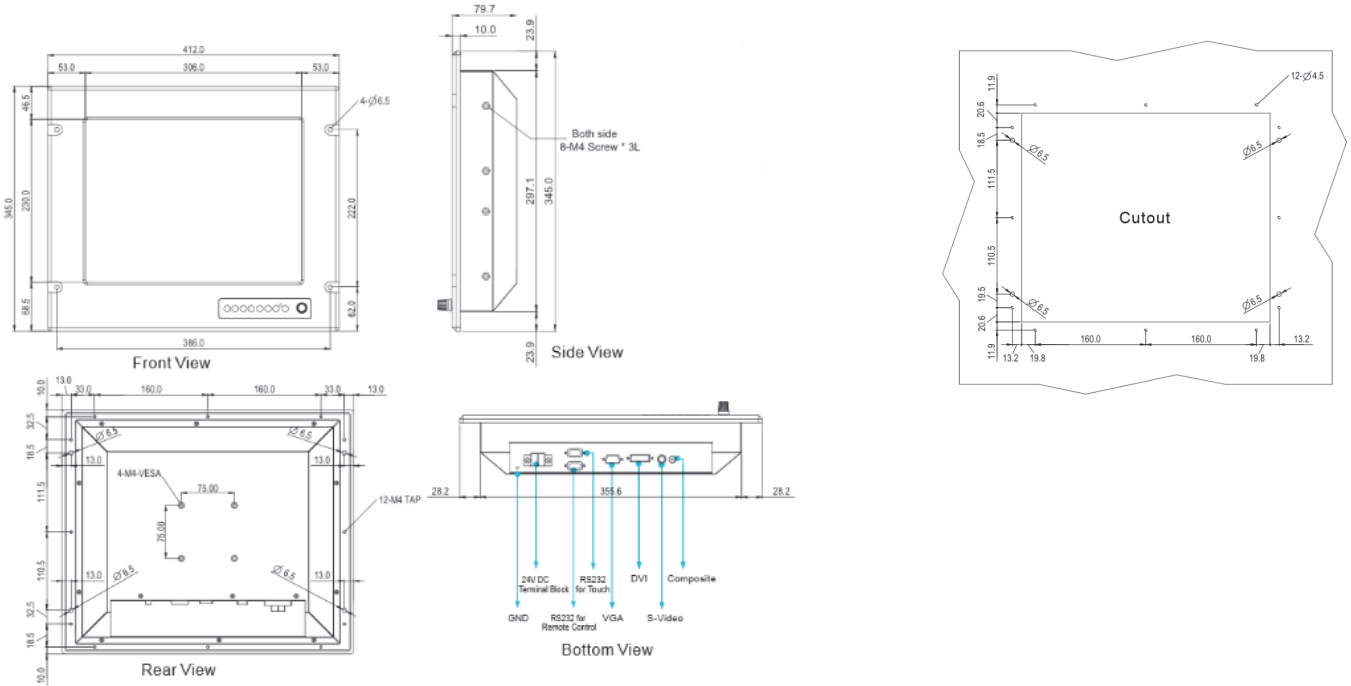
12.1" & 12.1" HB | Mechanical drawing



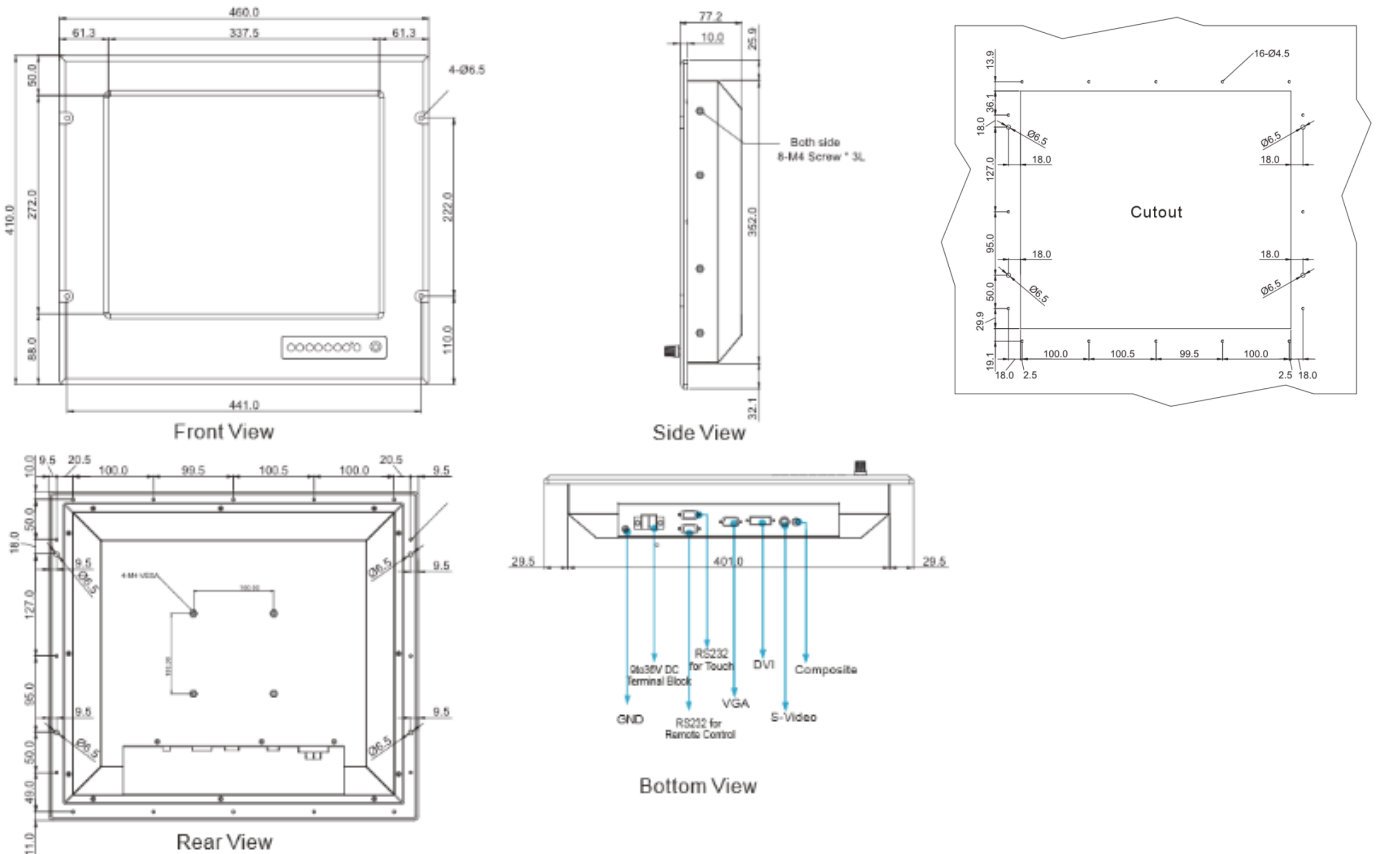
Marine R Display Series

Panel mount touch displays | Ø 10.4" - 24"

15" | Mechanical drawing



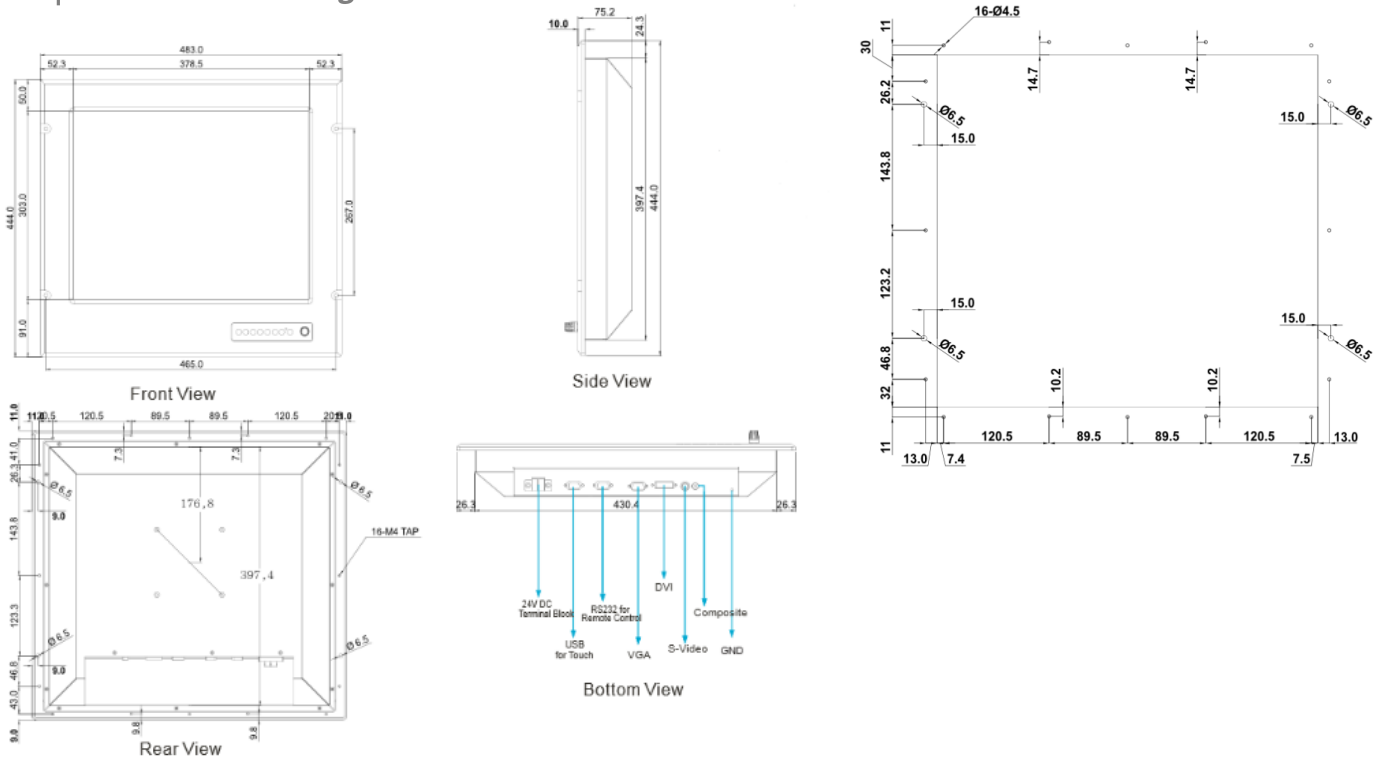
17" | Mechanical drawing



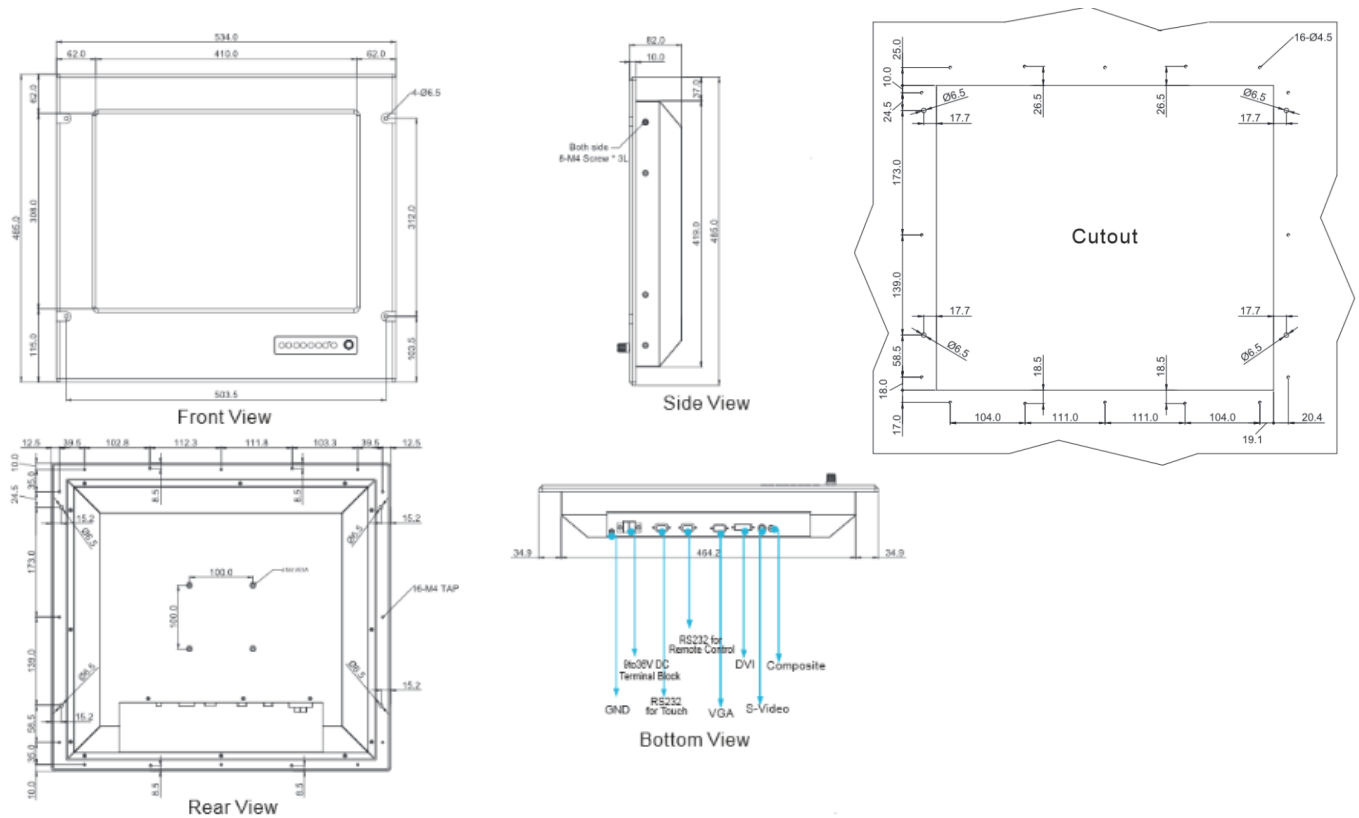
Marine R Display Series

Panel mount touch displays | Ø 10.4" - 24"

19" | Mechanical drawing



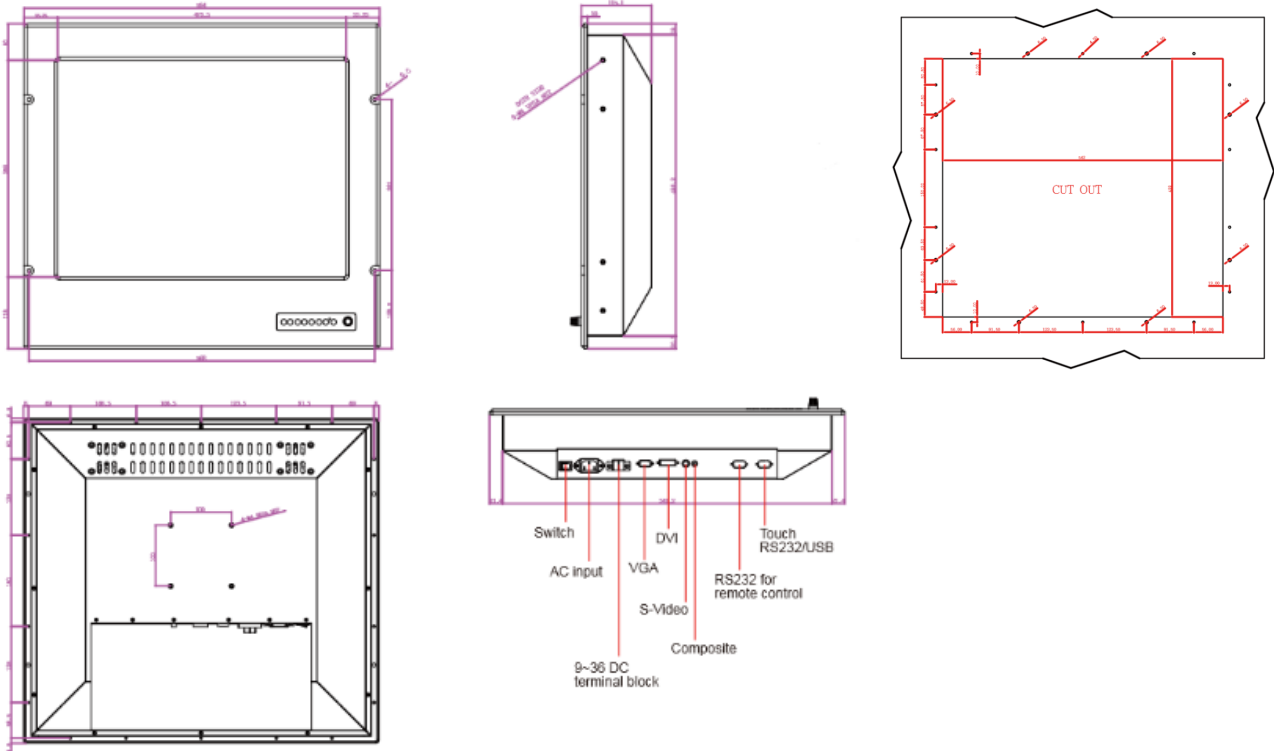
20.1" | Mechanical drawing



Marine R Display Series

Panel mount touch displays | Ø 10.4" - 24"

23.1" | Mechanical drawing



24" & 24" HB | Mechanical drawing

