

Marine R24 Panel PC - Atom

Fanless Marine-Grade Panel PC with 24" display and Intel® Dual-Core Atom® N2600 CPU

Features

- 24" Fanless Marine-Grade Panel PC
- Front IP66 dust and water-proof
- Resistive touch screen
- Resolution: 1920 x 1080
- Front panel OSD control (with dimming knob)

System

CPU	Intel® Dual-Core Atom® N2600 up to 1.6GHz
Chipset	Intel® NM10 Express
RAM	1x 4GB DDR3L 1600MHz SODIMM up to 8GB
Storage	1x 64GB mSATA SSD
LAN Chipset	Dual Broadcom BCM57780 GbE Controller

Display

Display Size	24" (60,96cm)
Touch Type	5-Wire Resistive
Resolution	1920 x 1080
Color	16.7M colors / 8-bit
Viewing Angle	178(H) / 178(V)
Contrast	5000:1
Brightness	300 cd/m ²

Interface

USB	2x USB 2.0 (Type-A)
Ethernet	2x RJ-45 Gigabit Ethernet ports
Serial Ports	1x RS-232/422/485 2x RS-232
Video	1x VGA (15-pin D-Sub female)
Power Input	1x 9 ~ 36V DC-In with terminal block
Power Consumption	100W, normal operation

Mechanical / Environmental

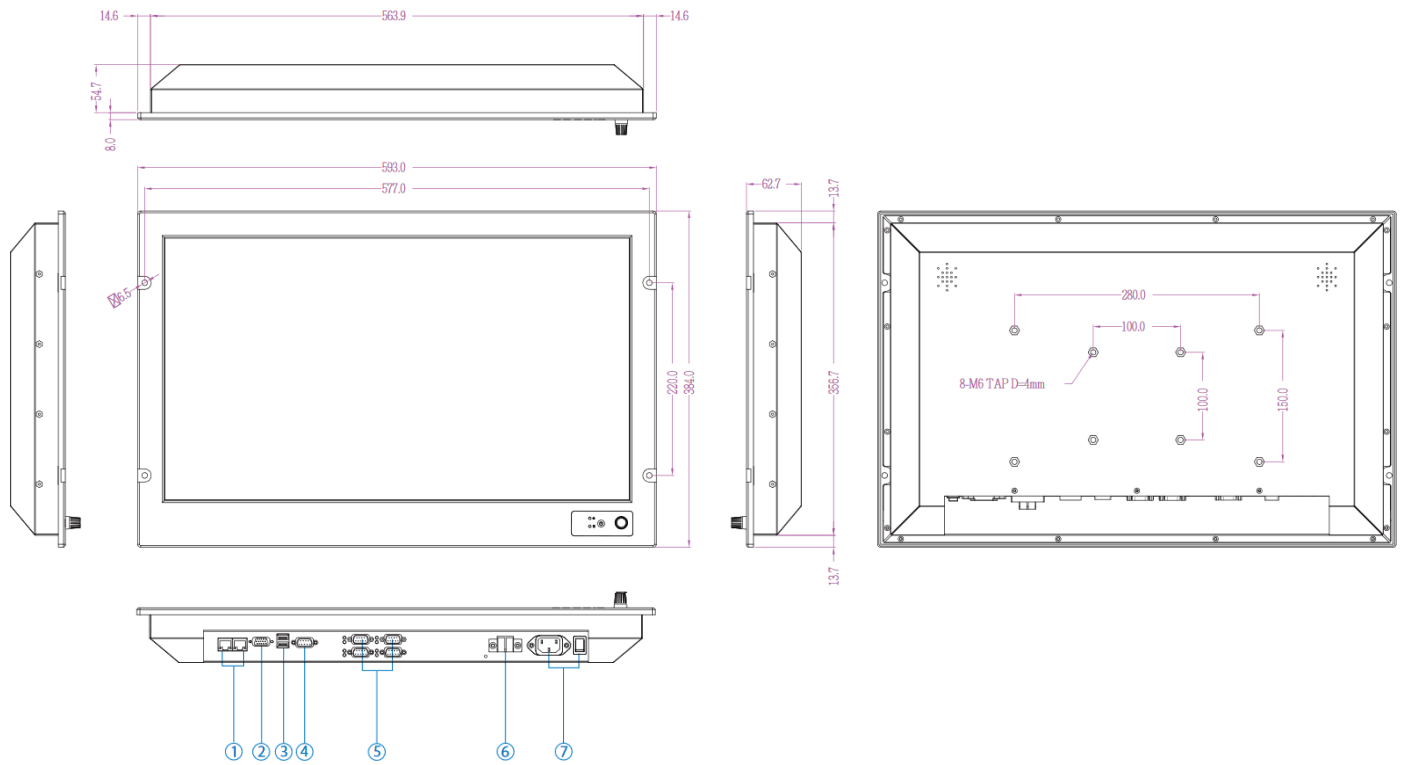
IP Protection	Front IP66
Mounting	VESA 100 150 280
Dimensions	593 x 384 x 62.7mm (W x H x D) 570 x 357mm (Cut Out)
Operating Temp.	-15° ~ 55°C
Humidity	5% ~ 95%, non-condensing
Certifications	FCC, CE, DNV2.4, IEC60945, IACS-E10

Front

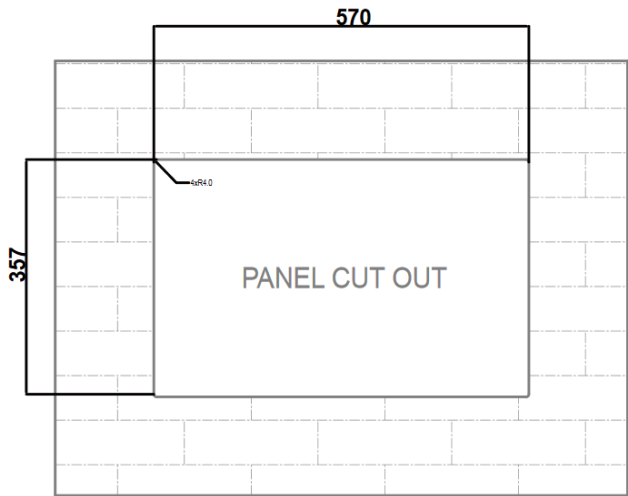


Marine R24 Panel PC - Atom

Technical drawings



- | | |
|----------------------|---|
| 1. 2 x RJ45 | 5. 4 x RS232 (default) or
4 x Isolation-RS422/485 (optional) |
| 2. 1 x VGA out put | 6. 1 x 9~36V DC input |
| 3. 2 x USB | 7. 1 xAC input (optional) |
| 4. 1 x RS232/422/485 | |



CUT OUT DIMENSION