

EAGLE J6142 PPC Series

Intel® Elkhart Lake J6412 | Ø 10.1" - 21.5"

Fanless Panel Mount Panel PC systems with Intel® Elkhart Lake J6412 CPU

Features

- Fanless industrial Panel Mount systems
- Intel® Elkhart Lake J6412 CPU
- Resolution: 800 × 600 up to 1920 x 1080
- PCAP multi touch screen
- IP66 front dust & water protection



Easy-to-mount Panel Mount Panel PCs with 10.1" up to 21.5" displays

Whether at the point of sale (POS), in health care applications or in facilities - the demands on the performance and user-friendliness of human-machine interfaces are increasing almost daily. With the Panel PCs of the EAGLE series, BRESSNER Technology GmbH from Groebenzell offers powerful technology in an attractive design and with seamless mounting option which meets all expectations in terms of functionality, speed, ergonomics and safety.

Maximum performance for demanding fields of application

The industrial Panel PCs of the EAGLE series are designed for industrial applications and have been strictly tested to ensure safety and performance. All models in the series are front-sealed to at least IP66 standards and offer the optimal solution for environments with demanding requirements. Thanks to Panel Mount assembly, the Panel PCs can be adapted to individual conditions.



EAGLE J6142 PPC Series

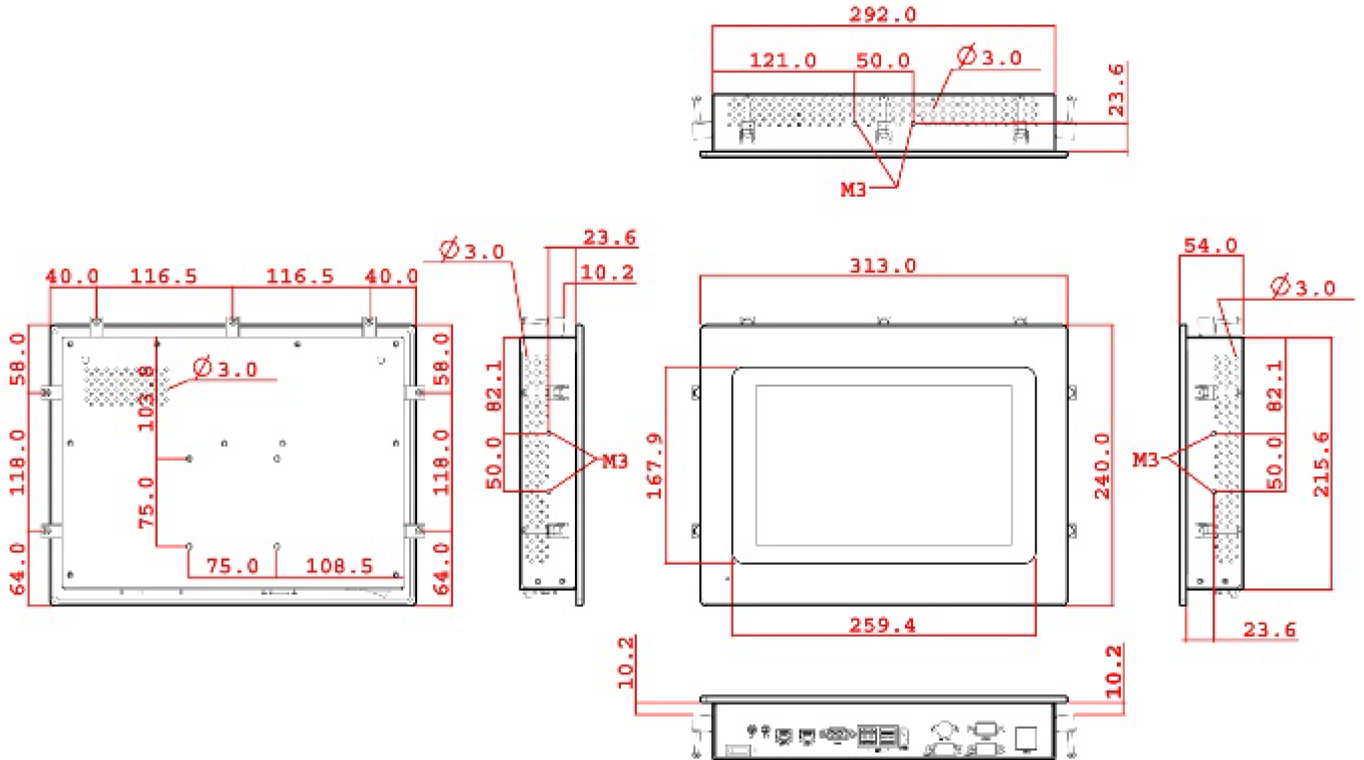
Intel® Elkhart Lake J6412 | Ø 10.1" - 21.5"

Display size	10.1"	10.4"	15"	15.6"	21.5"
System					
CPU	Intel® Elkhart Lake SoC CPU J6412, QC, 2.60-2.0GHz, 10W				
GPU	Intel® Gen 11 Graphics				
RAM	2x DDR4 SO-DIMM 3200MHz socket, support up to 32GB				
Storage	1x 2.5" SATA HDD with anti-vibration mechanism 1x M.2 (Key M, 2242/2260/2280) with SATA 3 and 1x PCIe for SSD				
Operating System	Windows 10 (64bit), Windows 11 (64bit)				
Display					
Display Type	LCD (10.1", 10.4, 15", 15.6" or 21.5")				
Touchscreen	Full flat PCAP multi-touch	Full flat resistive touch or Full flat PCAP multi-touch	Full flat resistive touch or Full flat PCAP multi-touch	Full flat resistive touch or Full flat PCAP multi-touch	Full flat resistive touch or Full flat projected capacitive touch
Resolution	1280 x 800 (WXGA)	800 x 600 (SVGA)	1024 x 768 (XGA)	1366 x 768 (HD)	1920 x 1080 (Full HD)
Aspect Ratio	16:9	4:3	4:3	16:9	16:9
Brightness	400cd/m ²	230cd/m ²	350cd/m ²	400cd/m ²	250cd/m ²
Interface					
Serial	1x RS-232 2x RS-232/422/485				
USB	2x USB 3.2 (Gen 1) 2x USB 2.0				
Ethernet	1x RJ-45 1 Gbps 1x RJ-45 2.5 Gbps				
Video	1x HDMI 2.0b 1x VGA				
Audio	2x 3.5mm (Line-out und Mic-in)				
Expansion Slots	1x PCIe x1 (Gen 3) 1x M.2 (Key E 2230) with PCIe x1 and shared USB 3.0 for wireless 1x M.2 (Key B 3042/3052) with PCIe x1 / USB 2.0 / USB 3.2 and SIM for 4G/5G 1x SIM socket connected to M.2 Key B				
Mechanical					
Power Input	1x 12~28 VDC-in				
Power Adapter	External power supply, 60W, 100-240V AC-in, 19V DC-out (PSU with PSE)				
Dimensions (W x D x H)	313 x 54 x 240mm	313 x 54 x 240mm	398 x 72 x 330mm	452 x 72 x 330mm	495.5 x 91.5 x 384.7mm
Weight	TBD	TBD	TBD	TBD	TBD
Mounting	Panel mount, Optional open frame/chassis, VESA mount 75 mm				
Environmental					
Cooling	Fanless				
Operating Temperature	±0° ~ 50° C by SSD ±0° ~ 45° C by HDD				
Storage Temperature	-20° ~ 65° C				
Humidity	10% ~ 90% non-condensing				
IP Protection	IP66 front				
Certification	FCC/CE/VCCI Class B				

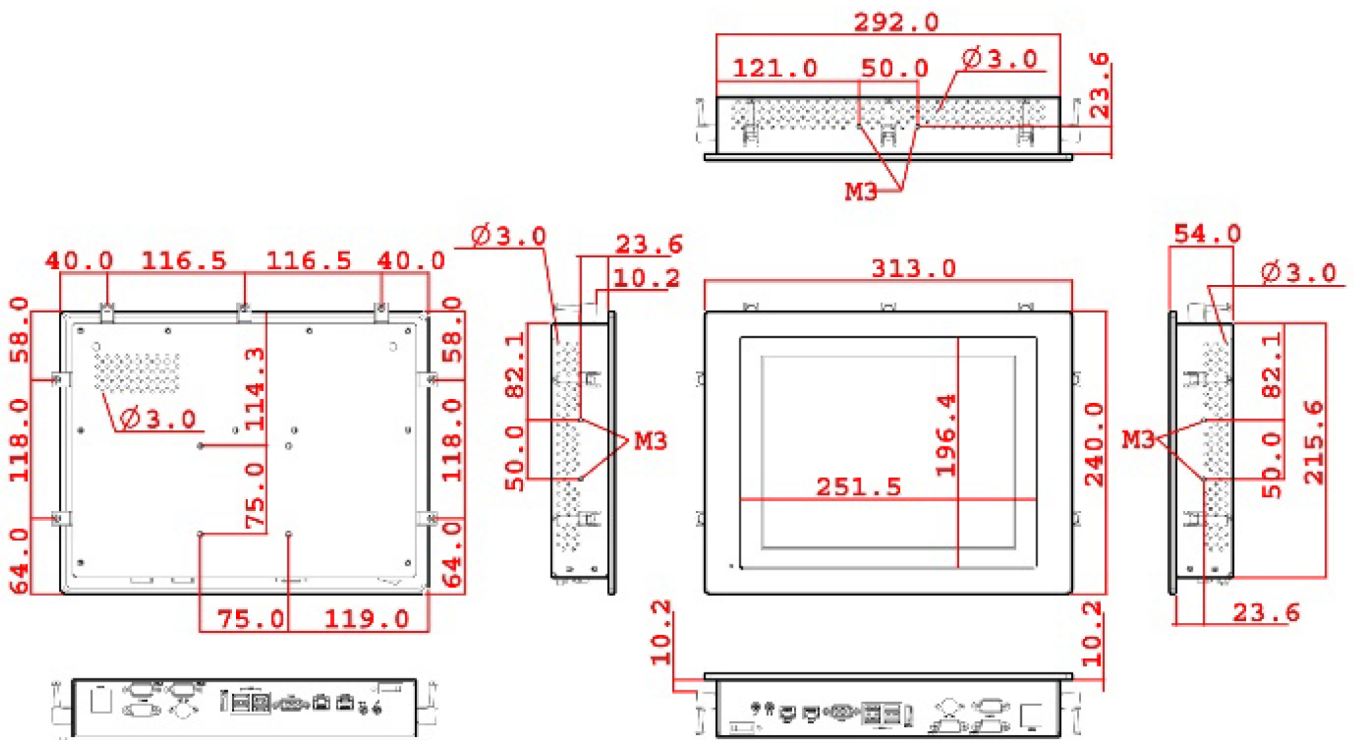
EAGLE J6142 PPC Series

Intel® Elkhart Lake J6412 | Ø 10.1" - 21.5"

Technical drawing (mm) - 10.1"



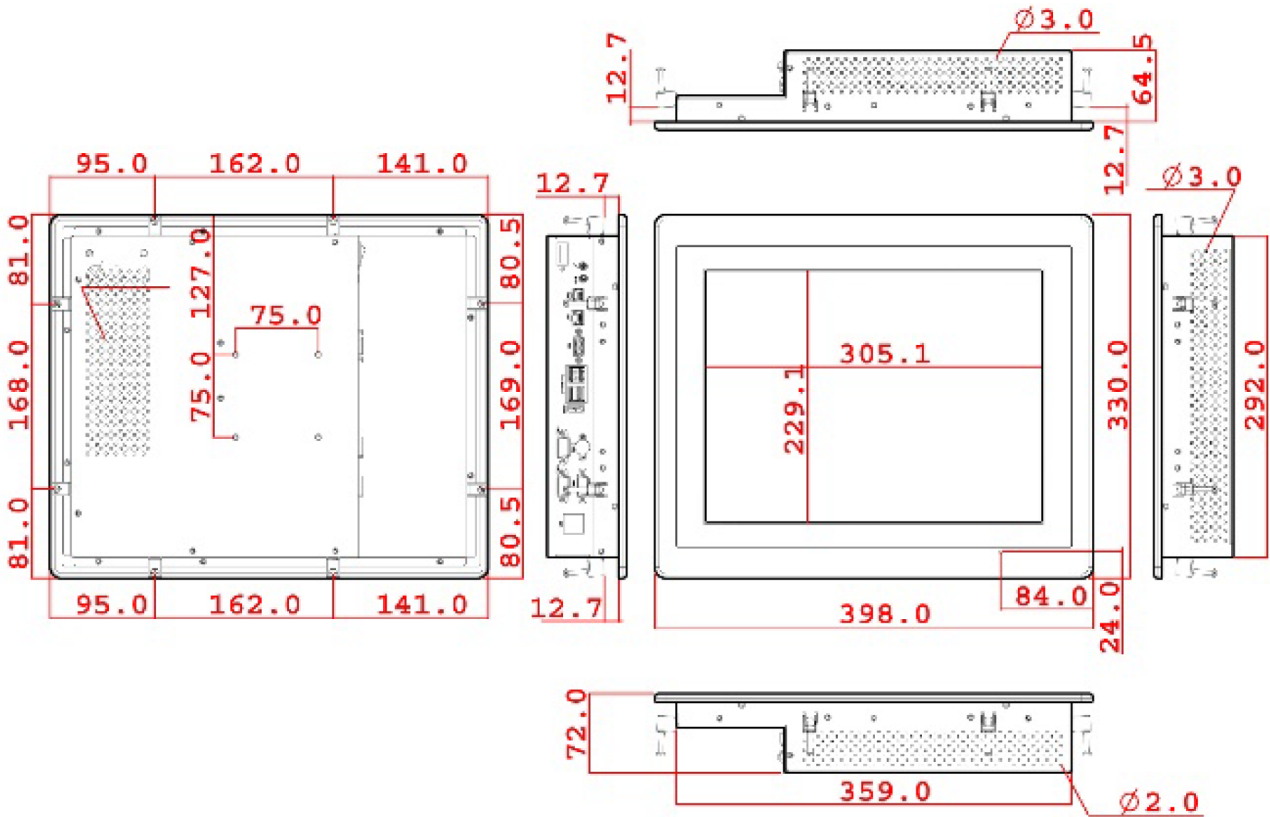
Technical drawing (mm) - 10.4"



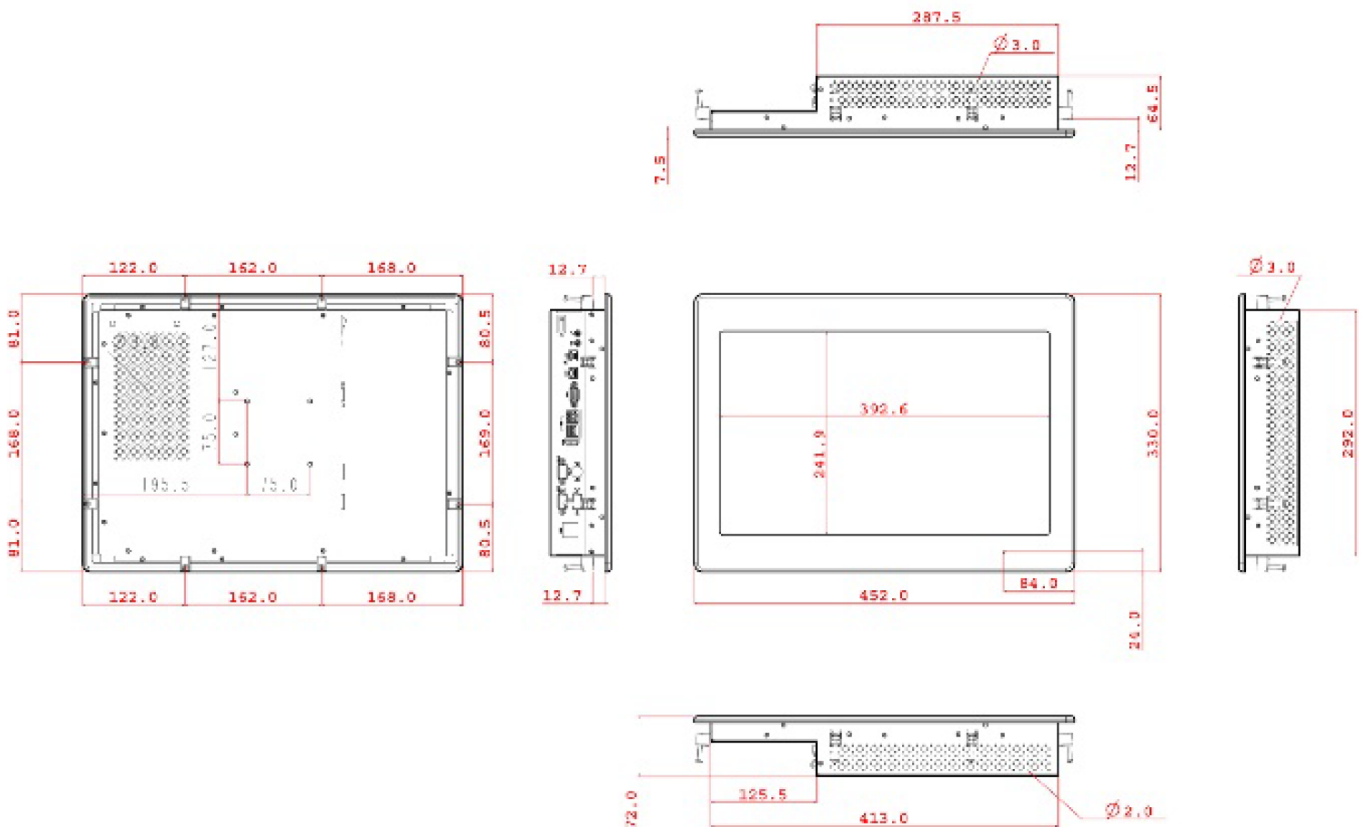
EAGLE J6142 PPC Series

Intel® Elkhart Lake J6412 | Ø 10.1" - 21.5"

Technical drawing (mm) - 15"



Technical drawing (mm) - 15.6"



EAGLE J6142 PPC Series

Intel® Elkhart Lake J6412 | Ø 10.1" - 21.5"

Technical drawing (mm) - 21.5"

