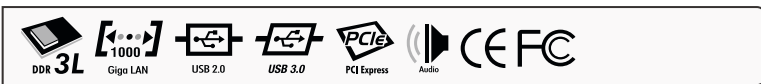


BOXER-6615

Fanless Embedded Box PC with Intel® Pentium® N3710, 1.6 GHz

Features

- Intel® Pentium® N3710 1.6 GHz
- 6COMs: RS232/422/485 x 2 + RS-232 x 4
- USB3.0 x 2, USB2.0 x 2
- VGA + HDMI Output, Support Dual View/Simultaneous Display
- Support 2.5" Drive Bay x 1, mSATA
- Support 8 channel DIO x 1
- DDR3L 1600 SODIMM x 1, Memory Max. up to 8GB
- AAEON's Hi-Safe Support



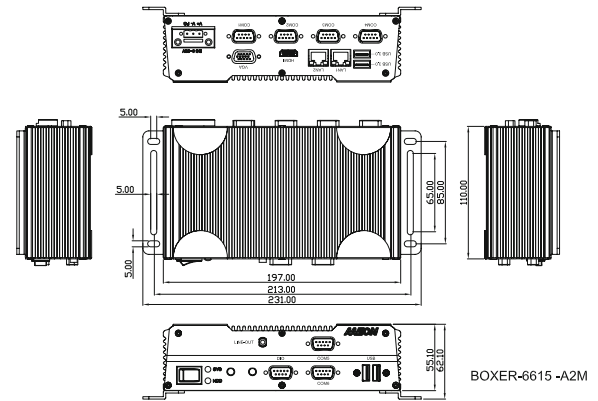
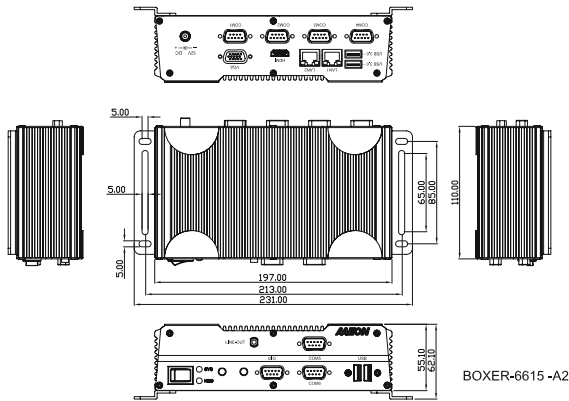
Specifications

System	
CPU	Intel® Pentium® N3710 1.6GHz
Chipset	Intel® System on Chip
System Memory	204-pin 1600 DDR3L SODIMM x 1, up to 8GB
Display Interface	VGA, HDMI
Storage Device	mSATA, 2.5" HDD/SSD
Ethernet	Realtek RTL-8111E, 10/100/1000Base x2
I/O	RS-232/422/485 x 2 RS-232 x 4 USB3.0 x 2 USB2.0 x 2 VGA x 1 HDMI x 1 DIO x 1 Line-Out x 1 Antenna holes x 2 Power switch Power input
Expansion	Full-size Mini-Card x 1 Half-size Mini-Card x 1 (optional for mSATA)
Indicator	Power LED HDD active LED
OS support	Windows® 10, Windows® 8.1 (32/64-bit), Windows® 7(32/64-bit), WES7/WES8, Win10 IOT, Linux
Power Supply	
Power Requirement	9 - 30V with 3-pin terminal block (A2M) 12V with lockable DC jack (A2)
Mechanical	
Mounting	Wallmount DIN Rail (Mounting kit is optional)
Dimensions (W x H x D)	197mm(W) x 55mm(H) x 110mm(D)
Gross Weight	6.6 lb (2.8 kg)
Net Weight	4.4 lb (2 kg)
Environmental	
Operating Temperature	-20°C ~ 60°C with W.T. SSD/HDD/mSATA (according to IEC68-2-14 with 0.5 m/s AirFlow ; with industrial devices)
Storage Temperature	-4°F ~ 158°F (-20°C ~ 70°C)
Storage Humidity	95% @ 40°C, non-condensing
Anti-Vibration	5 Grms/ 5 ~ 500Hz/ operation –mSATA/ SSD 1 Grms/ 5~ 500Hz/ operation – HDD
Certification	CE/FCC class A

BOXER-6615

Dimension

Unit: mm



Ordering Information

Part Number	CPU	RAM	LAN	USB 3.0	USB 2.0	RS-232	RS-232/422/485	DIO	Audio	Storage	Display	Expansion	Mounting	Power	Temp.
BOXER-6615-A2-1010	Intel® Pentium® N3710 1.6GHz	—	2	2	2	4	2	8 bit	Line-Out	SATA 2.5" HDD bay x 1 mSATA x 1 (Optional)	VGA x 1 HDMI x 1	Full Size Mini-Card x 1 Half Size Mini-Card x 1	Wallmount Din Rail Mounting Kit (Optional)	DC 12V	-20°C ~ 60°C with W.T. SSD/ HDD/mSATA (according to IEC68-2-14)
BOXER-6615-A2M-1010	Intel® Pentium® N3710 1.6GHz	—	2	2	2	4	2	8 bit	Line-Out	SATA 2.5" HDD bay x 1 mSATA x 1 (Optional)	VGA x 1 HDMI x 1	Full Size Mini-Card x 1 Half Size Mini-Card x 1	Wallmount Din Rail Mounting Kit (Optional)	DC 9~30V	-20°C ~ 60°C with W.T. SSD/ HDD/mSATA (according to IEC68-2-14)

Packing List

- Wallmount Bracket x 2
- Screw Package x 1
- Product DVD x 1
- Phoenix Power Connector x 1 (For A2M, DC 9 ~30V only)
- BOXER-6615

Optional Accessories

- DC Jack for 6615-A2, Power Adapter, AC, 100/240V, 12V/5A, 60W, W/ Lock
- DC Jack for 6615-A2M, Power Adapter, AC, 100/240V, 12V/7A, 84W
- Power Cord (US Type)
- Power Cord (European Type)
- Power Cord (Japanese Type)