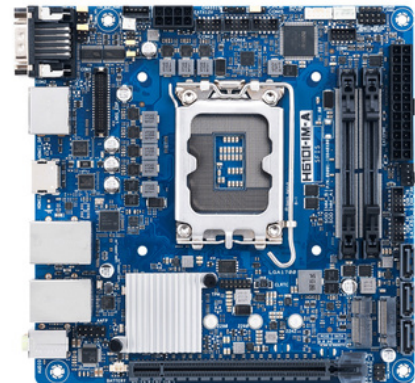


ASUS IoT H610I-IM-A

Industrial and cost-effective Mini-ITX motherboard with Intel® H610 chipset and Intel® Core™ 14th/13th/12th Gen. CPU

Features

- Supports Intel® processors of the 14th/13th/12th Gen.
- 2x DDR4 3200 MHz SO-DIMM, up to 64GB
- Intel® H610 chipset
- Supports up to 3x displays
- Mini-ITX form factor



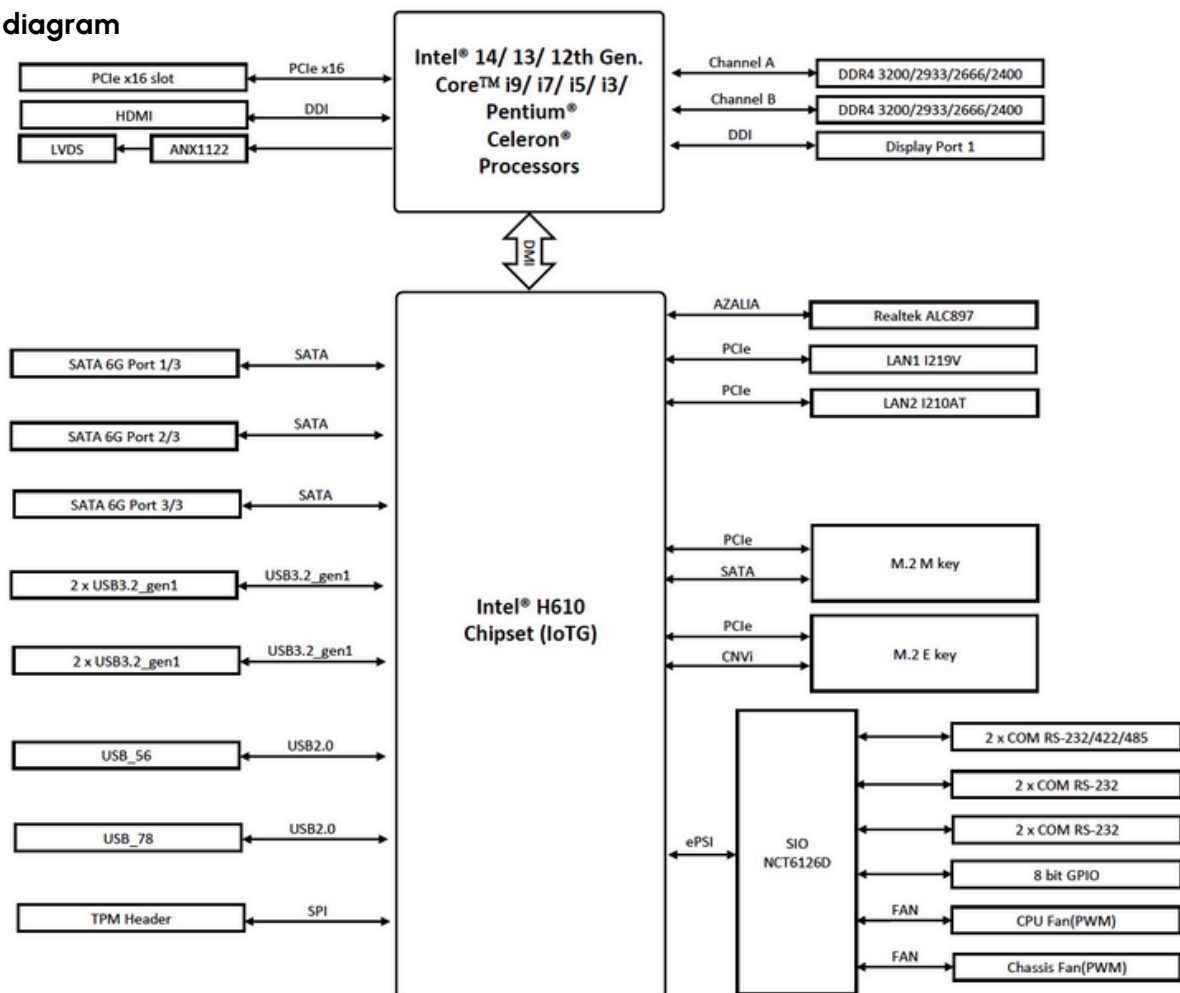
ASUS IoT H610I-IM-A: Cost-effective industrial motherboard with comprehensive features

The ASUS IoT H610I-IM-A is a Mini-ITX industrial motherboard that offers versatile I/O capabilities and advanced connectivity options. Despite its compact design, which allows a reduction in chassis size for installation-constrained environments, it offers multiple display outputs, legacy options for industrial applications and dual Intel LAN ports. The ASUS IoT H610I-IM-A impresses with its rich expansion options with one PCIe x16 slot, two M.2 sockets (E- and M-Key) and one Mini PCIe. This flexibility makes it the ideal choice for a wide range of embedded applications where compact and customizable solutions are required.

Compact solutions for space-constrained installations

Thanks to its compact design, the ASUS IoT H610I-IM-A is ideal for installations where space is limited. It still offers a wealth of features and expansion options without compromising on performance. The ASUS IoT H610I-IM-A is equipped with durable, industrial-grade components that provide reliable performance even under extreme conditions. This ruggedness makes it ideal for use in demanding industrial applications where durability and reliability are critical.

Block diagram



ASUS IoT H610I-IM-A

Industrial and cost-effective Mini-ITX motherboard with Intel® H610 chipset and Intel® Core™ 14th/13th/12th Gen. CPU

Specifications	ASUS IoT H610I-IM-A
SYSTEM	
CPU	LGA1700 for Intel® Core™ 14th/13th/12th Gen. i9/ i7/ i5/ i3/ Pentium® / Celeron® processors, Max. 65W TDP
Chipset	Intel® H610 (IoTG)
RAM	Up to 64GB DDR4 3200 MHz. (two SO-DIMM slots 32GB)
TPM	1x SPI TPM header
Watchdog	Yes
Storage	3x SATA Gen 3.0, up to 6Gb/s
Expansion	1x PCIe 4.0 x16 slot 1x M.2 E Key, type 2230 for WIFI/BT device (PCIe & CNVi) 1x M.2 M Key, type 2242/2260/2280 (PCIe x4 & SATA mode)
Operating System	Windows® 10 (64bit) Ubuntu RedHat Enterprise Fedora Workstation OpenSUSE
ASUS IoT Suite	HW Monitor Power Scheduling Fan control Watch Dog Timer GPIO
User Interface	API GUI
INTERFACE	
Ethernet	2x RJ-45 (10/100/1000 Mbps): 1x Intel® i210AT 1x Intel® i219V
USB	4x USB 3.2 Gen 1 ports
COM	2x COM: RS-232/ 422/ 485 ports
Video	2x HDMI ports 1x DisplayPort port 1x LVDS Up to 3 displays
Audio	2x Audio-Jack (Line-Out, Line-in) Audio codec Realtek ALC897 High Definition Audio
Internal Connectors	Serial port connector: 4x COM ports (4x RS-232) USB 2.0: 2x header support for 4x USB 2.0 ports CPU fan/chassis fan: 1x header (PWM mode) / 1x header (PWM mode) LVDS/eDP selection: 1x header Panel SW: 1x header Audio front panel (AAFP): 1x header System panel: 1x header (IO-Ipin) Housing intrusion: 1x header Loudspeaker: 1x header Clear CMOS: 1x header COM Debug: 1x header GPIO: 1x header (8 bit)
ENVIRONMENTAL	
Power Supply	ATX 12V DC-IN (Support by power transfer card "EMA DCB A")
Operating Temperature	0° ~ 60°C
Storage Temperature	-40° ~ 85°C
Humidity	Operation: 40°C @ 10% ~ 95%
Dimensions	Mini-ITX, 170 x 170 mm
Certifications	CE (Class B), FCC (Class B), BSMI (Class B), VCCI (Class B), CE-LVD

ASUS IoT H610I-IM-A

Industrial and cost-effective Mini-ITX motherboard with Intel® H610 chipset and Intel® Core™ 14th/13th/12th Gen. CPU

BRESSNER
A ONE STOP SYSTEMS COMPANY

Order Information	ASUS IoT H610I-IM-A
MODEL NO. [1]	
90ME064	H610I-IM-A, LGA1700, H610, DP, HDMI, LVDS
PACKING LIST [2]	
13020	1x I/O shield
14013	1x SATA 6G cable
13020	1x M.2 screw pack

[1] The part number might vary for different regulations and package. Please consult the TPM in your region for exact 90PN.

[2] The part number might vary due to part number revision.

