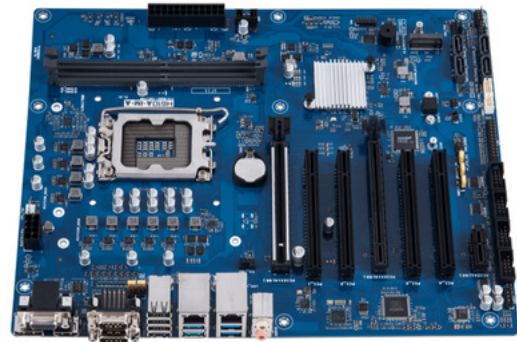


ASUS IoT H610A-IM-A

Industrial ATX motherboard with Intel® H610 chipset and Intel® Core™ 14th/13th/12th Gen. CPU

Features

- Supports Intel® processors of the 14th/13th/12th Gen.
- 2x DDR4 3200 MHz U-DIMM, up to 64GB
- Intel® H610 chipset
- Supports up to 3x displays (VGA/HDMI/DP)
- 7-year component availability



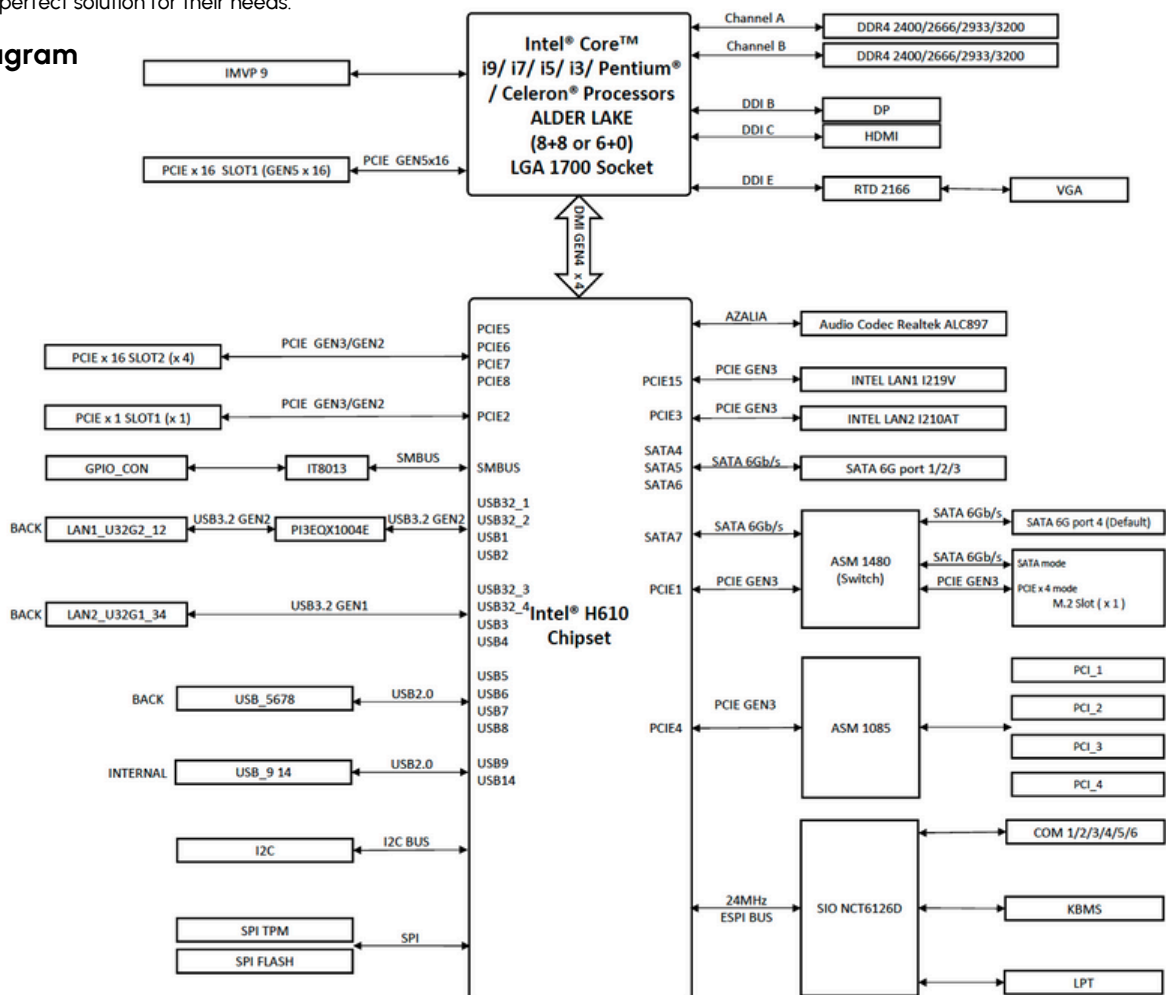
ASUS IoT H610A-IM-A: Cost-effective industrial motherboard with connectivity options

The ASUS IoT H610A-IM-A is an ATX industrial motherboard that offers extensive I/O capabilities, advanced connectivity options and flexible customization options. With multiple display outputs, legacy options for industrial applications, GPIO ports and dual Intel LAN ports, it is ideal for a wide range of embedded applications. Thanks to a PCIe slot, an M.2 M-key, multiple COM ports and versatile expansion options, the ASUS IoT H610A-IM-A is ideal for a wide range of embedded applications. This flexibility allows the motherboard to be adapted to specific requirements and thus used in a wide range of applications.

ASUS: World market leader and quality guarantor

As the world's leading brand for motherboards, ASUS offers industrial motherboards with durable, industrial-grade components. These ensure reliable 24/7 operation even in harsh environments and are suitable for use in various vertical markets. With over 30 years of experience in design and innovation, ASUS enables faster time-to-market with customization and motherboard modulation. Best-in-class after-sales service, flexible material supply, quick response to forecast changes and long-term technical support ensure that customers can find the perfect solution for their needs.

Block diagram



ASUS IoT H610A-IM-A

Industrial ATX motherboard with Intel® H610 chipset and Intel® Core™ 14th/13th/12th Gen. CPU

Specifications	ASUS IoT H610A-IM-A
SYSTEM	
CPU	LGA1700 for Intel® Core™ 14th/13th/12th Gen. i9/ i7/ i5/ i3/ Pentium® / Celeron® processors, Max. 125W TDP
Chipset	Intel® H610
RAM	Up to 64GB DDR4 2400/2666/2933/3200 MHz (two U-DIMM slots)
TPM	1x SPI TPM header
Watchdog	Yes
Storage	4x SATA Gen 3.0, up to 6Gb/s 1x M.2 socket 3 with M-Key, type 2242/2260/2280 (SATA/PCIe x1 mode)
Expansion	1x PCIe 5.0 x16 slot 1x PCIe 3.0/2.0 x16 slot (x4 mode) 1x PCIe 3.0/2.0 x1 slot 4x PCI slots 1x M.2 socket 3 with M-key, type 2242/2260/2280 (SATA/PCIe x1 mode)
Operating System	Windows® IO (64bit) Windows® IoT Enterprise Ubuntu RedHat Enterprise Fedora Workstation OpenSUSE
INTERFACE	
Ethernet	2x RJ-45 (10/100/1000 Mbps): 1x Intel® i219V 1x Intel® i210AT
USB	2x USB 3.2 Gen 2 ports 2x USB 3.2 Gen 1 ports 4x USB 2.0 ports
COM	2x COM: RS-232/ 422/ 485 ports
Video	1x HDMI port, supports HDMI 2.1 up to 4096 x 2160 @ 60 Hz 1x DisplayPort connection, up to 4096 x 2160 @ 60 Hz 1x VGA port, up to 1092 x 1200 @ 60 Hz Triple display: DP+HDMI+VGA (standard)
Audio	2x Audio-Jack (Line-Out, Mic in) Audio codec Realtek ALC897 High Definition Audio
Internal Connectors	COM ports: 4x RS-232 USB 2.0: 1x header additionally supports 2 x USB 2.0 ports CPU fan: 1x (PWM mode) Chassis fan: 2x (PWM mode) Chassis intrusion: 1x Front panel audio (AAFP): 1x System control: 1x (10-1 pin) Buzzer: 1x Clear CMOS Jumper: 1x Speaker connector: 1x (4-pin) COM debug: 1x header I2C connection: 1x header Parallel: 1x PS/2: 1x header SPDIF: 1x header GPIO: 1x header (8Bit) PS/2: 1x Jumper for AT/ATX selection: 1x Power supply: 2x 4-pin ATX power supply, 1x 24-pin ATX power supply
ENVIRONMENTAL	
Power Supply	AT mode/ ATX mode
Operating Temperature	0° ~ 60°C
Storage Temperature	-40° ~ 85°C
Humidity	10%~95%
Dimensions	ATX, 305 x 244 mm
Certifications	CE, FCC

ASUS IoT H610A-IM-A

Industrial ATX motherboard with Intel® H610 chipset and Intel® Core™ 14th/13th/12th Gen. CPU

BRESSNER
A ONE STOP SYSTEMS COMPANY

Order Information	ASUS IoT H610A-IM-A
MODEL NO. [1]	
90ME04T	H610A-IM-A, LGA1700,H610,DP,HDMI,VGA,MB
PACKING LIST [2]	
13020	1x I/O shield
14013	1x SATA 6G cable
13020	1x M.2 screw pack

[1] The part number might vary for different regulations and package. Please consult the TPM in your region for exact 90PN.

[2] The part number might vary due to part number revision.

