

# ASUS IoT EBS-A700

Enclosure made of robust 1.2 mm SGCC sheet metal with up to 7 PCIe slots

## Features

- Desktop/wallmount enclosure with 7x PCIe slots
- Supports 500W or 850W IPC power supply
- Compatible with Micro ATX and ATX motherboards
- Bidirectional option for vertical or horizontal placement
- Thumb-screw for top cover easy opening



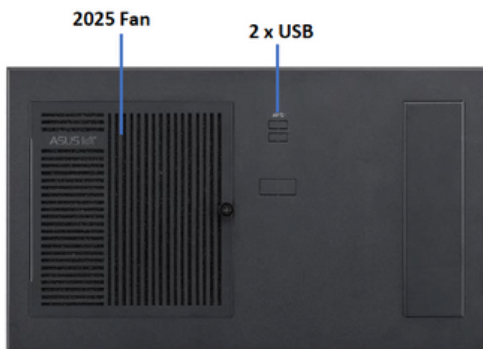
## ASUS IoT EBS-A700 - Desktop/wall-mount enclosure solution for industrial and AIoT applications

The ASUS IoT EBS-A700 is a desktop/wall-mount enclosure specifically designed for industrial and AIoT computing applications. Made from robust and durable 1.2mm SGCC sheet metal, it is compatible with ATX, MicroATX and Mini-ITX motherboards, including those powered by Intel® Q470E, H610 or Q670E chipsets. The EBS-A700 is designed for high performance and exceptional compatibility in demanding environments.

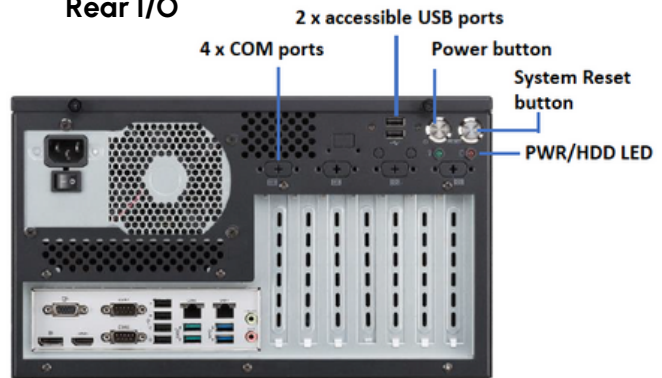
### Versatile compatibility and expandability

It is compatible with standard 500W or 850W IPC power supplies and offers a variety of features to ensure optimal performance and adaptability to different environments. Configuration is simple, with an operating temperature range of 0°C to 40°C. It also meets diverse connectivity and expansion requirements and supports up to seven full-height PCI or PCI Express cards, making it an ideal choice for various vertical markets.

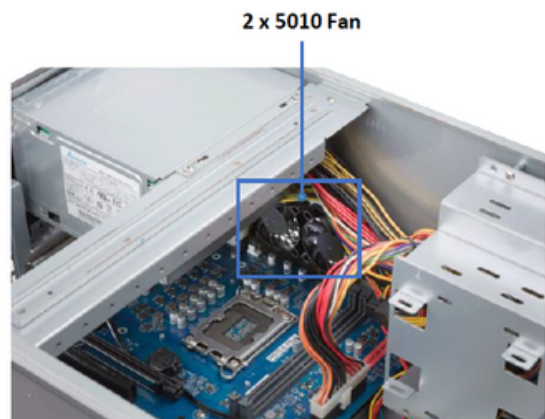
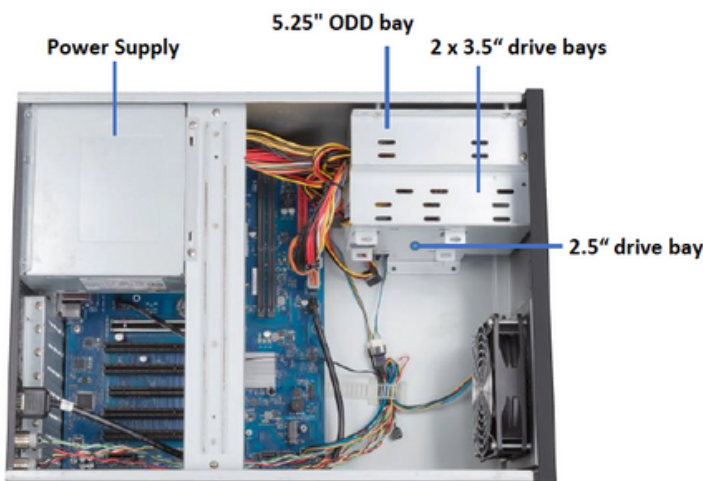
### Front I/O



### Rear I/O



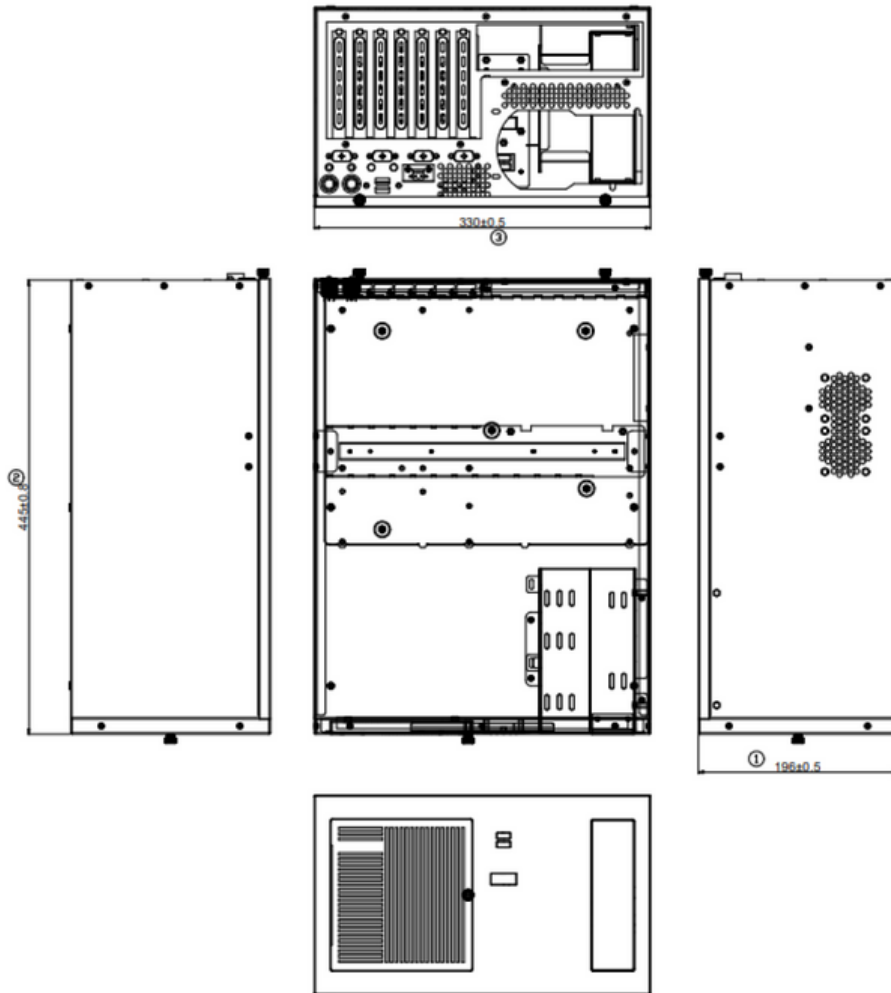
### Inside view



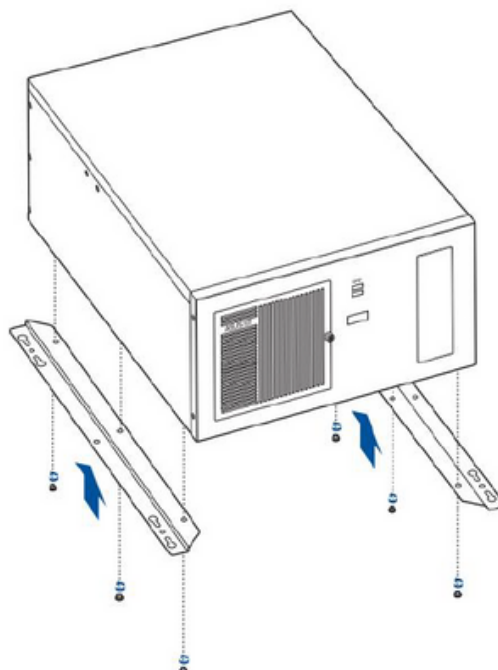
# ASUS IoT EBS-A700

Enclosure made of robust 1.2 mm SGCC sheet metal with up to 7 PCIe slots

## Dimensions (mm)



## Installation



# ASUS IoT EBS-A700

Enclosure made of robust 1.2 mm SGCC sheet metal with up to 7 PCIe slots

Specifications	ASUS IoT EBS-A700
<b>SYSTEM</b>	
Motherboard	Compatible with Micro ATX and ATX motherboards up to a size of 12" x 9.6" (305 mm x 244 mm)
Chipset	Compatible with Intel® Q470E, H610 or Q670E chipsets
Storage	Supports 2x 3.5" HDD drive bays 1x 2.5" SSD bay 1x 5.25" CD-ROM bay
Expansion	7x Full-size PCIe
<b>INTERFACE</b>	
USB	2x USB ports at the front 2x USB ports at the rear
COM	4x COM ports at the rear
Other	LED indicators: Power, HDD Control: Power button, system reset button
<b>ENVIRONMENTAL</b>	
Power Supply	Compatible with 500W or 850W IPC power supply unit
Fan	1x 2025 fan with air filter 2x 5010 fan
Enclosure	Desktop/wallmount enclosure with robust 1.2 mm SGCC sheet metal
Operating Temperature	0° ~ 40°C
Storage Temperature	-15° ~ 60°C
Humidity	10 ~ 95% @ 40°C, non-condensing
Dimensions	455 (W) x 330 (D) x 196 (H) mm
Certifications	CE, FCC, CCC, UL, CB

# ASUS IoT EBS-A700

Enclosure made of robust 1.2 mm SGCC sheet metal with up to 7 PCIe slots

Ordering Information	ASUS IoT EBS-A700
<b>MODEL NO.</b>	
EBS-A700/H610A-IM-A	EBS-A700 Compatible ATX/mATXMB H610A-IM-A and power supply ATX 500W GOLD
EBS-A700/H610M-IM-A	EBS-A700, compatible ATX/mATXMB H610M-IM-A and power supply ATX 500W GOLD
<b>PACKING LIST</b>	
I3020*	M.2 screw pack
I4013*	SATA cable
I3AE0*	System accessories

\*The part number might vary for different regulations and package. Please consult the TPM in your region for exact 90PN.