

ASLAN Panel PC Series

Ø 11.6" - 21.5"

Fanless panelmount Panel PCs with Intel® Celeron® J1900 or N2930 processors

Features

- Fanless industrial Panel PC Systems
- Intel® Celeron® J1900 or N2930
- Installable in control enclosures
- Resolution: 1366 x 768 to max. 1920 x 1080
- P-CAP Multitouch



Multitouch industrial Panel PC systems with 11.6", 15.6", 18.5" an 21.5"

Human machine interfaces should have a high usability and performance to comply with the operator as well as increasingly demanding applications. With the Panel PCs of the ASLAN series, BRESSNER Technology offers systems specifically designed for industrial and multimedia applications.

Maximum performance for demanding applications

The multitouch Panel PCs of the ASLAN series are easy to integrate, built for OEMs as well as for machinebuilders and offer sufficient performance for all common industrial applications. Thanks to the special panelmount design, the devices are easy to install in control enclosures. All systems of the series are available with a projected capacitive multitouch touchscreen, are fully configured and come with a pre-installed operating system.



ASLAN Panel PC Series

Ø 11.6" - 21.5"

Fanless panelmount Panel PCs with Intel® Celeron® J1900 or N2930 processors

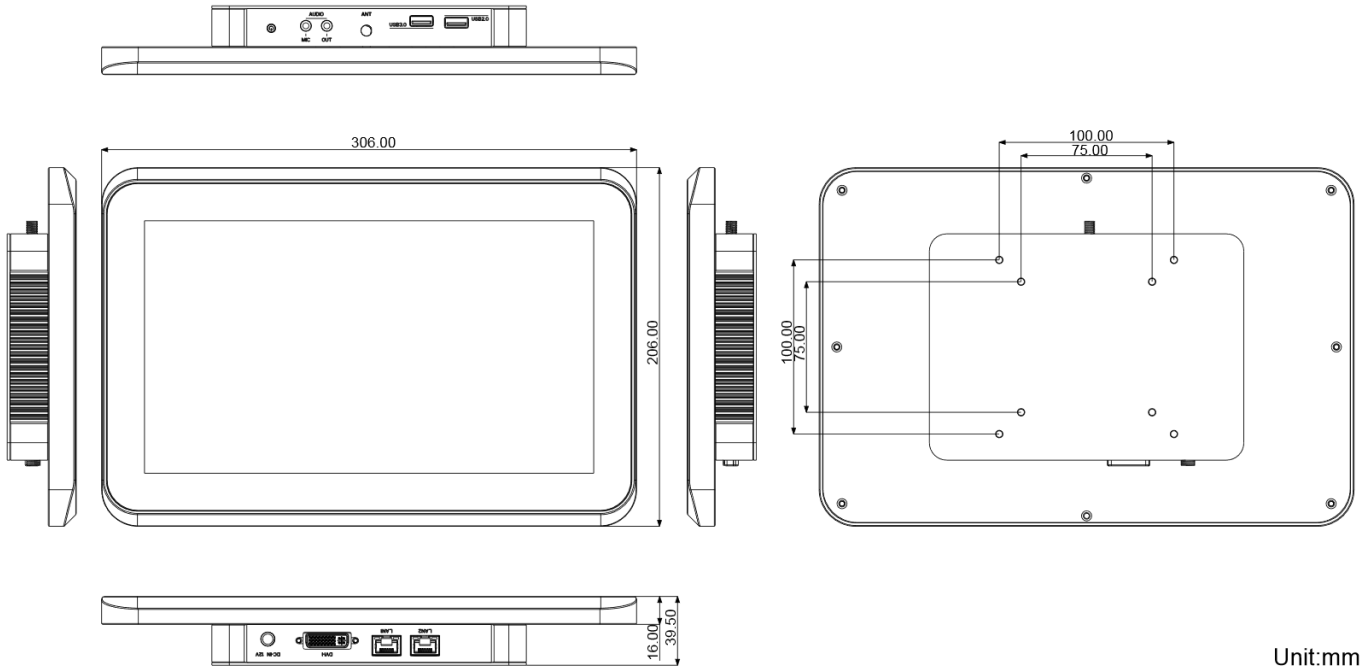
	11.6"	15.6"	18.5"	21.5"
System				
CPU	Intel® Celeron® N2930 Quadcore up to 1,83GHz	Intel® Celeron® J1900 Quadcore up to 2,4GHz	Intel® Celeron® J1900 Quadcore up to 2,4GHz	Intel® Celeron® J1900 Quadcore up to 2,4GHz
System chipset	Intel® Baytrail SoC Chipset			
Graphics	Intel® HD Graphics (Baytrail)			
RAM	4GB DDR3L 1333 SO-DIMM max. 8GB			
Memory	500 GB HDD 2,5" SATA 3, optional SSD			
OS	Windows 7 (64bit), Windows 8.1 (64bit), Windows Embedded 8.1 Industry (64bit), Windows 10 (64bit), Windows 10 IoT Enterprise			
Display				
Touchscreen	PCAP multitouch			
Resolution	1920 × 1080 Pixel	1366 × 768 Pixel	1366 × 768 Pixel	1920 × 1080 Pixel
Brightness	300 cd/m ²			250 cd/m ²
Interface				
COM	x	2x COM RS232, 2x RS232/422/485	2x COM RS232, 2x RS232/422/485	2x COM RS232, 2x RS232/422/485
USB	1x USB 3.0, 1x USB 2.0	3x USB 2.0 1x USB 3.0	3x USB 2.0 1x USB 3.0	3x USB 2.0 1x USB 3.0
Ethernet	2x RJ-45 10/100/1000 Mbps Ethernet ports	3x RJ-45 10/100/1000 Mbps Ethernet ports 2x Intel I210AT GbE controller 1x Realtek 8111E GbE controller	3x RJ-45 10/100/1000 Mbps Ethernet ports 2x Intel I210AT GbE controller 1x Realtek 8111E GbE controller	3x RJ-45 10/100/1000 Mbps Ethernet ports 2x Intel I210AT GbE controller 1x Realtek 8111E GbE controller
Video	1x DVI-I	1x DVI-I	1x DVI-I 1x VGA	1x DVI-I
Camera	x	x	2 MP Webcam (front)	x
Audio	1x Mic-in / 1x Line out	x	x	x
Expansion slots	1x Full-Size mPCIe (PCIex1 + USB 2.0) 1x Half-Size mPCIe (PCIex1 Lane only)	1x Mini-PCIe slot for optional WiFi	1x Mini-PCIe slot for optional WiFi	1x Mini-PCIe slot for optional WiFi
Other	optional: 1x SMA antenna for WiFi function	optional: WLAN b/g/n 1x SMA antenna for WiFi function	optional: WLAN b/g/n 2x SMA antenna for WiFi function	optional: WLAN b/g/n 2x SMA antenna for WiFi function
Mechanical				
Power input	DC 12V input	DC 9-36V input	DC 9-36V input	DC 9-36V input
Power adapter	60W AC/DC adapter Kit	60W AC/DC adapter Kit	60W AC/DC adapter Kit	60W AC/DC adapter Kit
Dimensions	306 x 206 x 39,5 mm	404x 49,2 x 255 mm	470 x 49,2 x 295 mm	536 x 48,4 x 332 mm
Weight	2,1 kg	4,6 kg	5,6 kg	7kg
Mounting	VESA Mount 75 / 100 mm	VESA Mount 75 mm	VESA Mount 75 mm	VESA Mount 75 mm
Environment				
Fan	fanless			
Operating temp.	±20° ~ 55° C			
Storage temp.	-30° ~ 70° C			
Humidity	10% ~ 95% non-condensing			
IP-Protection	IP65 front	IP65 front	IP65 front	IP65 front
Certificate	CE Mark, FCC Class A	CE Mark, FCC Class A	CE Mark, FCC Class A	CE Mark, FCC Class A

ASLAN Panel PC Series

Ø 11.6" - 21.5"

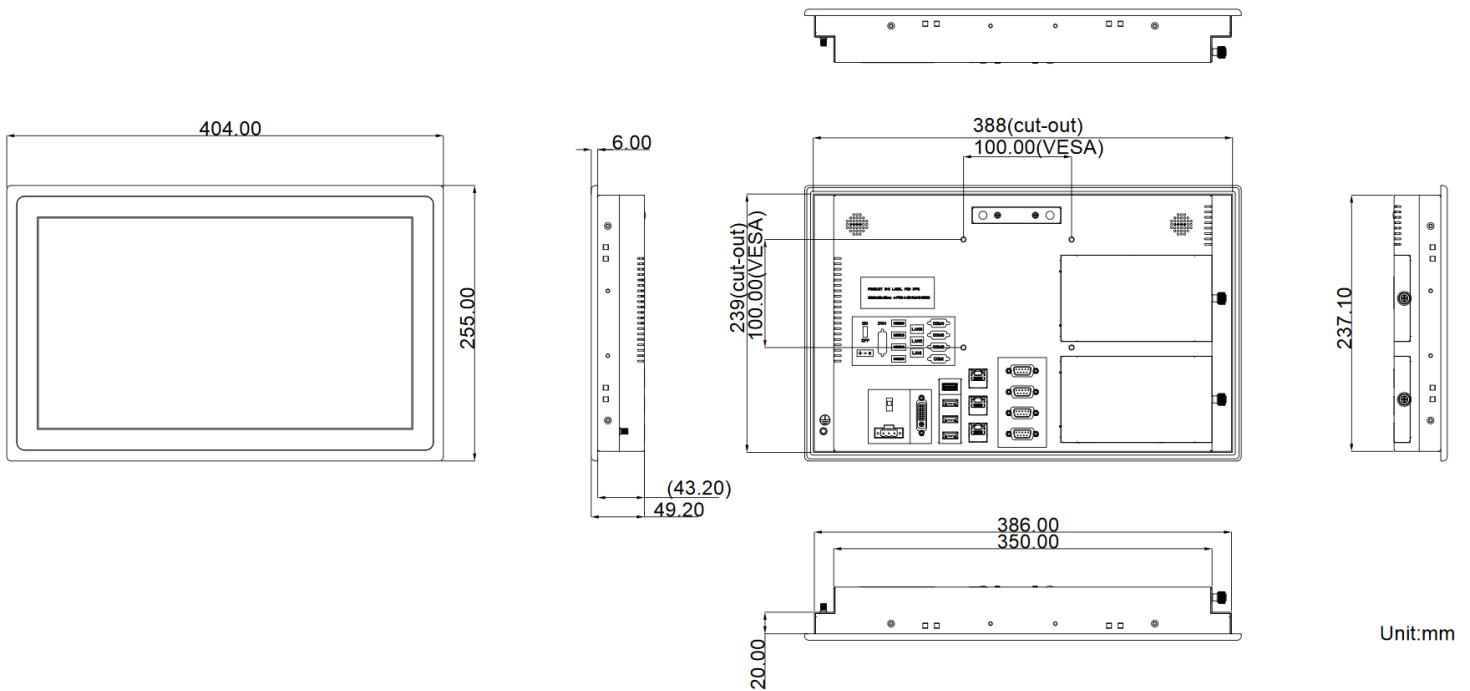
TECHNICAL DRAWINGS

ASLAN Panel PC N2930 11,6"



Unit:mm

ASLAN Panel PC N1900 15,6"



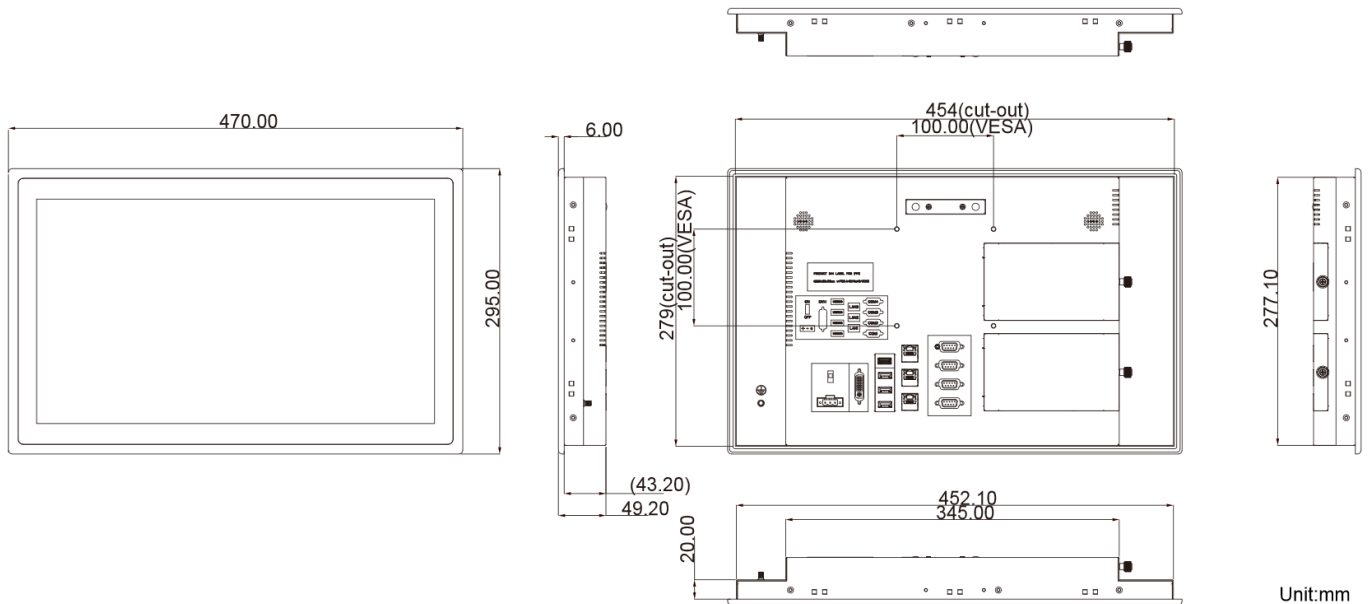
Unit:mm

ASLAN Panel PC Series

Ø 11.6" - 21.5"

TECHNICAL DRAWINGS

ASLAN Panel PC J19000 18,5"



ASLAN Panel PC J1900 21,5"

