

# ANT STE-6104C-T

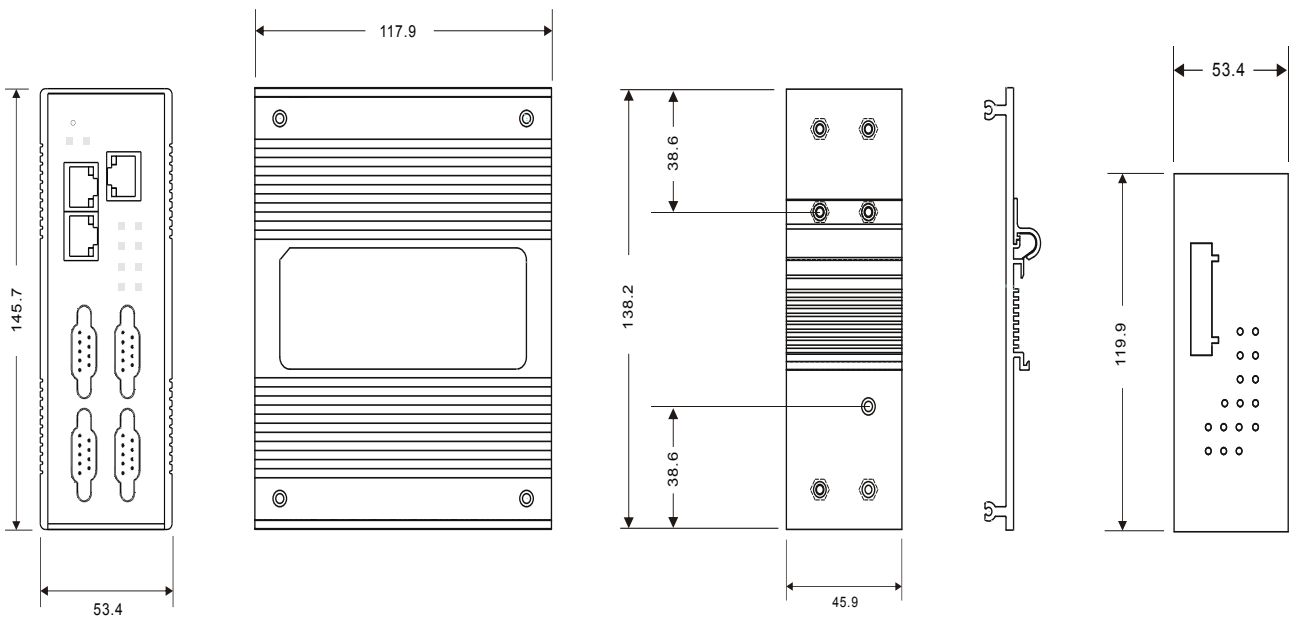
## 4-Port Industrial Serial to Ethernet Device Server

### Features

- 15KV ESD Protection for Serial Signals
- Dual 10/100Mbps Fast Ethernet for Redundancy
- 4-Port RS-232/RS-422/RS-485, Baud Rate up to 921 Kbps
- Rigid IP50 Metal Housing, DIN-Rail, and Wall-Mount Support
- RAW TCP Server/TCP Client/UDP/Virtual COM/Tunneling Modes
- Built-in Web Server/Serial Console/Telnet/Windows-based Utility
- Monitor, Manage, and Control Industrial Field Devices Remotely
- 5-Year Warranty



### Specifications



# ANT STE-6104C-T

## Specifications

### System

CPU: 32-bit 266MHz RISC Processor with MMU  
 Flash: 2+8 MB (2MB for Bootloader)  
 RAM: 32 Mbytes DDR  
 EEPROM: 8K Bytes  
 Watchdog: Built-in Hardware

### TCP Server

Up to 4 Connections or Virtual COM / Reverse Telnet Modes

### TCP Client

Up to 2 Destination or Virtual COM Mode

### UDP

Up to 8 Ranges of IPs

### IEEE Compliance

IEEE 802.3

### Ethernet Ports

2 Ports

### Ethernet Connector

RJ-45

### Network Interface

10/100Mbps Fast Ethernet (Auto MDI/MDI-X)

### Network Protocol

TCP/IP, UDP, HTTP, SNMP, ARP, Telnet, ICMP, BOOTP, DHCP

### Serial Interface

RS-232/422/485 Software Selectable

### Serial Ports

4 Ports

### Serial Connector

DB9 Male

### Serial Communication

Data Rate: 300bps ~ 921.6kbps  
 Parity: None, Odd, Even, Mark, Space  
 Data Bits: 5, 6, 7, 8  
 Stop Bits: 1, 2  
 Flow Control: None, Xon/Xoff, RTS/CTS

### LED Indicators

COM, LAN, RUN

### Virtual COM

Windows & Linux Port Redirection Software

### Configuration

Web Page / Telnet / Serial console / Windows Utility

### Power Input

9 ~ 48DCV, 0.65A Max  
 7-Pin 5.08mm Connector for Redundant Power Input

### Power Consumption

Max. 5.85W

### Operation Temperature

-40° C to 80° C (-40° F to 176° F)

### Storage Temperature

-40° C to 85° C (-40° F to 185° F)

### Operation Humidity

5% to 95% (Non-condensing)

### Dimension (W x H x D)

53.4 x 145.7 x 119.9 mm (2.10 x 5.74 x 4.72 in.)  
 IP50 Rated (IEC/EN60529)

### EMC

CE Class A, FCC Class A

### EMS

EN 55024  
 EN 61000-4-2 (ESD) Level 3  
 EN 61000-4-3 (RS) Level 3  
 EN 61000-4-4 (EFT) Level 3  
 EN 61000-4-5 (Surge) Level 2  
 EN 61000-4-6 (CS) Level 3  
 EN 61000-4-8  
 EN 61000-4-11

### Safety

IEC/EN60950-1

### Stability Testing

Shock: IEC60068-2-27  
 Free Fall: IEC60068-2-32(ISTA Test Procedure 2A)  
 Vibration: IEC60068-2-64

### Warranty

5-Year Warranty

## Ordering Information

STE-6104C-T

4-Port Serial to Ethernet Device Server, RS-232 / 422 / 485, Wide Operating Temperature

### Optional Accessories

DIN-RAIL-KIT

DIN Rail Mounting Kit